

Product information



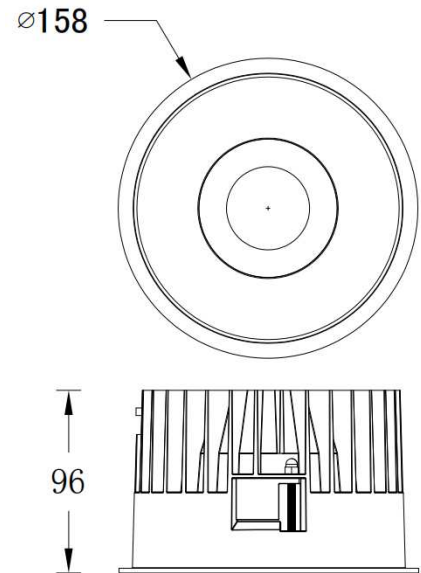
Product number: DP145R - 32W
 Input Voltage (v): 220-240V~
 Dimming: On/Off, TRIAC, 1-10V, DALI
 Light source: COB LED
 luminaire Lifetime: 50.000h (L80B50, Ta25°C)
 IP Rating: 54
 Working Temperature (°C): -5 ~ +30
 Material: Aluminium
 Fitting Colors: Sandy White / Sandy Black



Packaging information

N.W. lamp (Kg): 1.22
 G.W. Carton (Kg): 15.7
 Master carton dimensions(mm): 330x405x355
 Quantity per carton(PCS): 12

Beam	Watt	CRI	Luminous	CCT	Code
18	32W	90	2490 lm	4000K	DP145R-32G40-S01
			2418 lm	3000K	DP145R-32G30-S01
			2297 lm	2700K	DP145R-32G27-S01
24	32W	90	2853 lm	4000K	DP145R-32G40-M01
			2770 lm	3000K	DP145R-32G30-M01
			2631 lm	2700K	DP145R-32G27-M01
38	32W	90	2748 lm	4000K	DP145R-32G40-F01
			2668 lm	3000K	DP145R-32G30-F01
			2534 lm	2700K	DP145R-32G27-F01
56	32W	90	2969 lm	4000K	DP145R-32G40-WF01
			2883 lm	3000K	DP145R-32G30-WF01
			2738 lm	2700K	DP145R-32G27-WF01



Cut hole : φ145mm

