

Product information



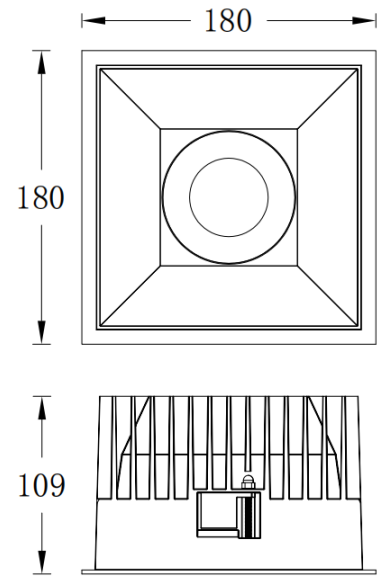
Product number:	DP165S - 40W
Input Voltage (v):	220-240V~
Dimming:	On/Off, TRIAC, 1-10V, DALI
Light source:	COB LED
luminaire Lifetime :	50.000h (L80B50, Ta25°C)
IP Rating:	54
Working Temperature (°C)	-5 ~ +30
Material:	Aluminium
Fitting Colors:	Sandy White / Sandy Black



Packaging information

N.W. lamp (Kg)	1.33
G.W. Carton (Kg)	14.3
Master carton dimensions(mm)	590x445x206
Quantity per carton(PCS)	10

Beam	Watt	CRI	Luminous	CCT	Code
18	40W	90	2855 lm	4000K	DP165S-40G40-S01
			2772 lm	3000K	DP165S-40G30-S01
			2633 lm	2700K	DP165S-40G27-S01
24	40W	90	3150 lm	4000K	DP165S-40G40-M01
			3059 lm	3000K	DP165S-40G30-M01
			2906 lm	2700K	DP165S-40G27-M01
38	40W	90	3370 lm	4000K	DP165S-40G40-F01
			3272 lm	3000K	DP165S-40G30-F01
			3108 lm	2700K	DP165S-40G27-F01
56	40W	90	3199 lm	4000K	DP165S-40G40-WF01
			3106 lm	3000K	DP165S-40G30-WF01
			2950 lm	2700K	DP165S-40G27-WF01



Cut hole : 165x165mm

