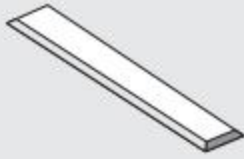


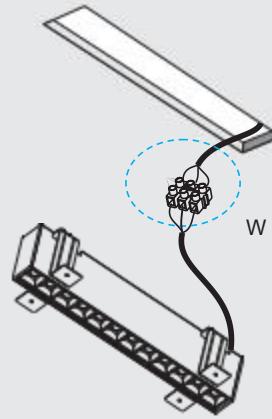
SD3-L328\L646\L964 Linear light Installation Instruction

①



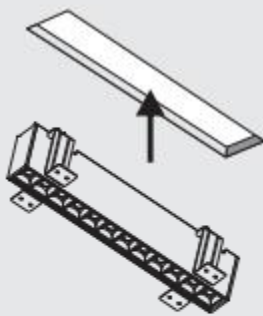
Cut hole: 330*39mm (SD3-L328)
648*39mm (SD3-L646)
966*39mm (SD3-L964)

②

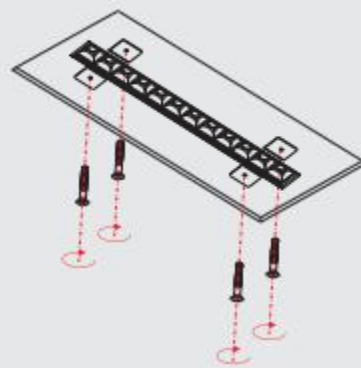


Wire connection to AC Power

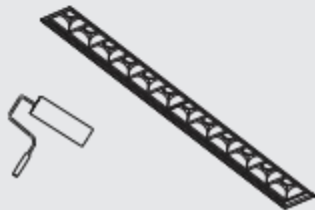
③



④

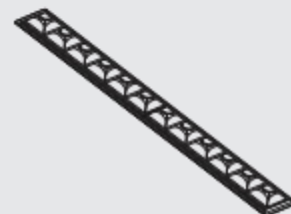


⑤



Paint the ceiling

⑥



Finish