

exLite Series

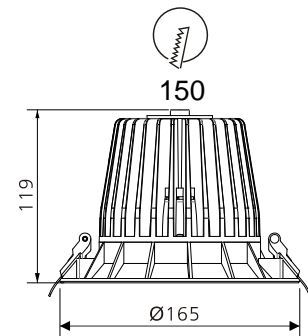
**BL06-40W**

Reflector



Technical Parameters:

Name	Parameters
Light source:	COB
Input Voltage:	AC220~240V 50/60Hz
LED Current:	1200mA, 30-33V (40W)
Rated life:	>35,000 hours
Operating temperature:	-20°C~40°C
Storage temperature:	-30°C~60°C
Certificate:	CE/RoHS
Dimmability:	Dimmable Optional
Weight:	0.9KG



Ordering Information:

● White+Black

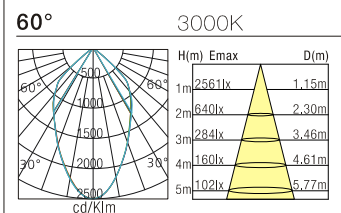
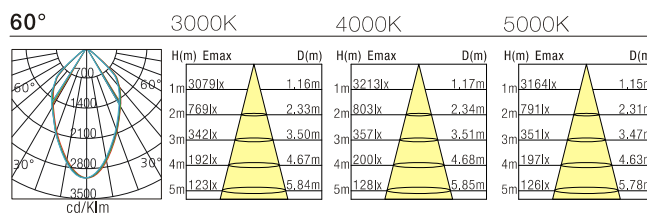
Power	CRI	Beam Angle	Luminous	CCT	Housing	Part Number
40W	>80	60°	3596 lm	3000K		BL061-40W-830-W-60
			3762 lm	4000K	●	BL061-40W-840-W-60
			3687 lm	5000K	●	BL061-40W-850-W-60
	>90	▲ 60°	2957 lm	3000K	●	BL061-40W-930-W-60
			3293 lm	4000K	●	BL061-40W-940-W-60

Technical Data test pattern

40W	CRI>80			CRI>90		
	LED			Luminaire		
Power	29,5W			39,5W		
Current	1050mA			1200mA		
Luminous Flux	4050lm	4200lm	4200lm	3596lm	3762lm	3687lm
CCT	3000K	4000K	5000K	3000K	4000K	5000K
Color tolerance	3 SDCM / 4 SDCM					
Service life	>50,000Hrs					
Beam Angle	120°			60°		
Typical Efficiency				88%		
Efficacy(lm/W)	131	135	136	91	95	93

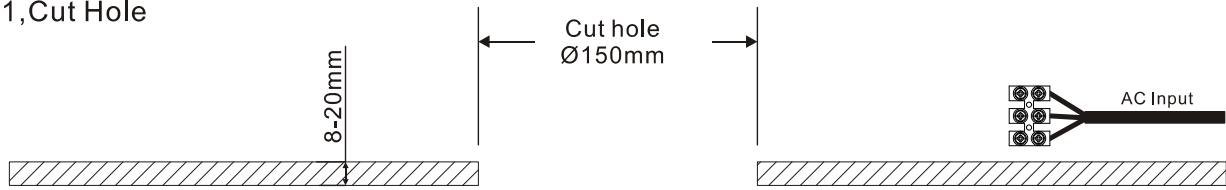
  

40W	CRI>80			CRI>90		
	LED			Luminaire		
Power	29,5W			39,5W		
Current	1050mA			1200mA		
Luminous Flux	3230lm	2957lm		3230lm	2957lm	
CCT	23000K	3000K		23000K	3000K	
Color tolerance	3 SDCM					
Service life	>50,000Hrs					
Beam Angle	120°			60°		
Typical Efficiency				86%		
Efficacy(lm/W)	104	74,8		104	74,8	

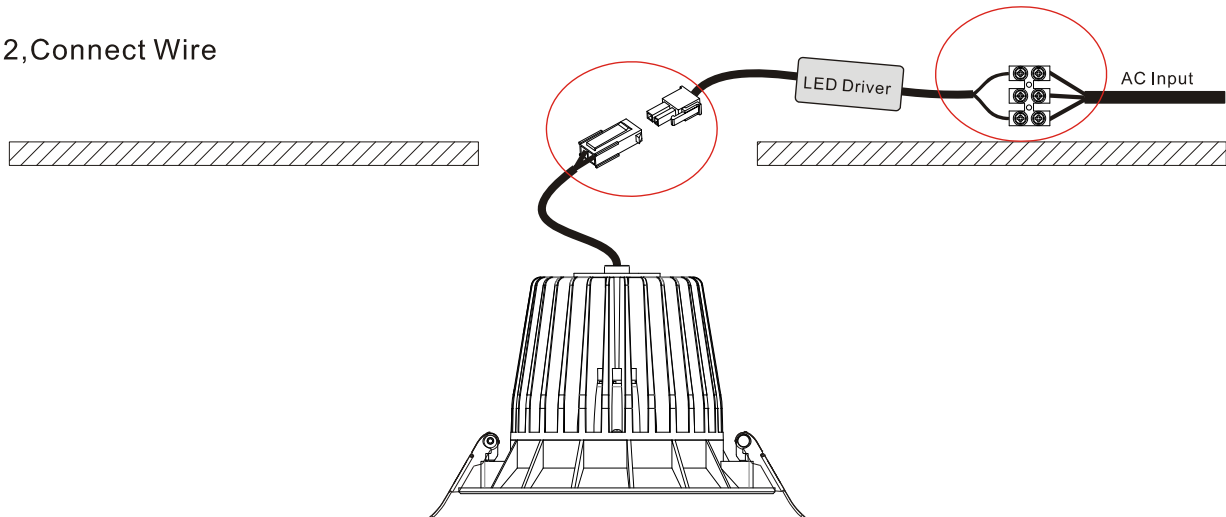


Installation instruction

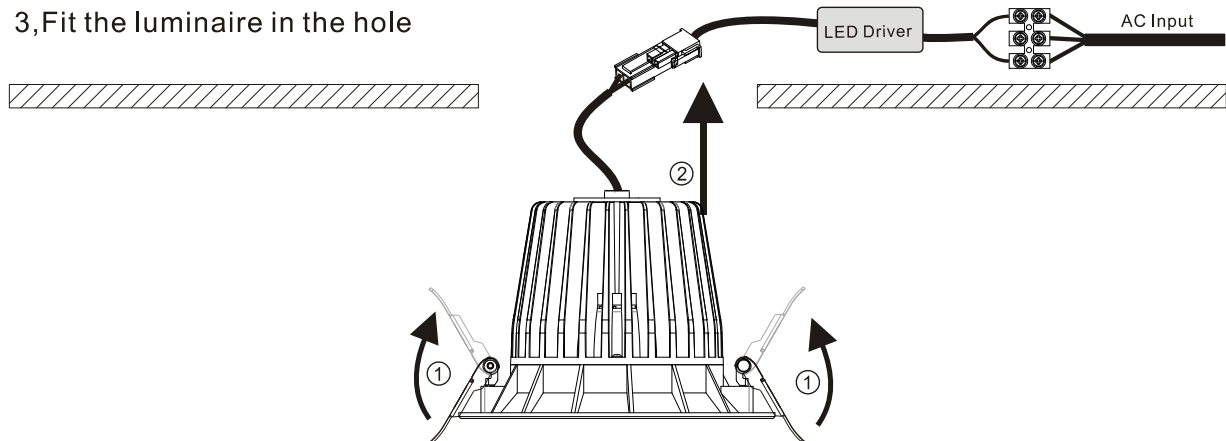
1, Cut Hole



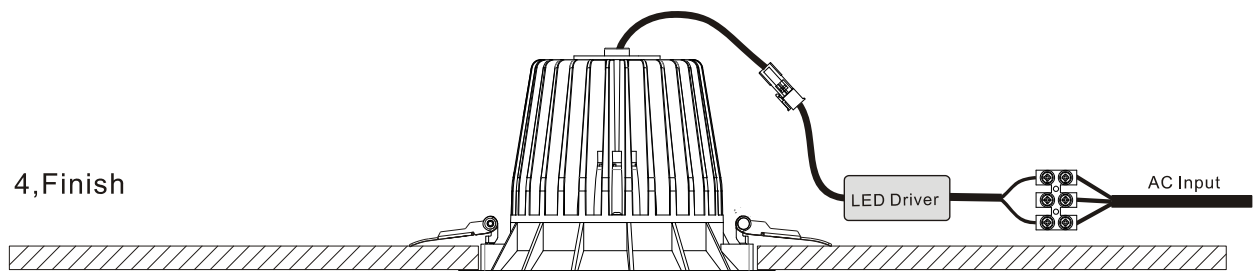
2, Connect Wire



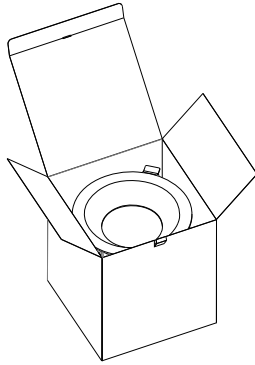
3, Fit the luminaire in the hole



4, Finish



Packaging:



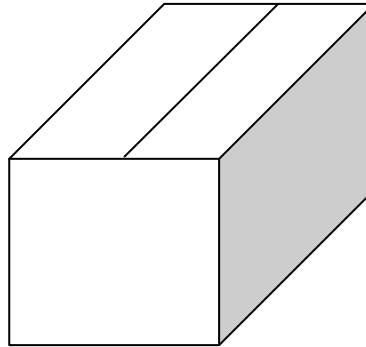
Box

L170\*W170\*H165mm

1pc/box

GW: 1.05kg/box (With non-dimmable driver)

1.15kg/box (With Triac dimmable driver)



Outer carton

L710xW370xH390mm

16 pcs/carton

GW: 18kg/carton (With non-dimmable driver)

19kg/carton (With Triac dimmable driver)

Product naming system

**BL (-X) XX X (H) - XW - X XX - X- XX**

