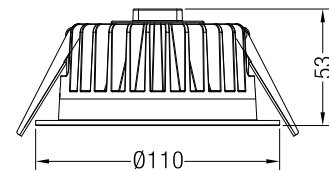


Combolite Series

BL16-12W

Technical Parameters:

Name	Parameters
Light source:	5630 SMD (27pcs)
Input Voltage:	AC220~240V 50/60Hz
LED Current:	350mA (27V)
Rated life:	>50,000 hours
Operating temperature:	-20°C~40°C
Storage temperature:	-30°C~60°C
Certificate:	
Dimmability:	Dimmable Optional
Weight:	0.3KG



Ordering Information:

① White+ Gray

Power	CRI	Beam Angle	Luminous	CCT	Housing	Part Number
12W	>80	60°	1260 lm	3000K	①	BL162-12W-830-W-60
			1300 lm	4000K	①	BL162-12W-840-W-60
	>90	60°	1050 lm	3000K	①	BL162-12W-930-W-60
			1170 lm	4000K	①	BL162-12W-940-W-60

Technical Data test pattern

CRI80 60°

3000K

4000K

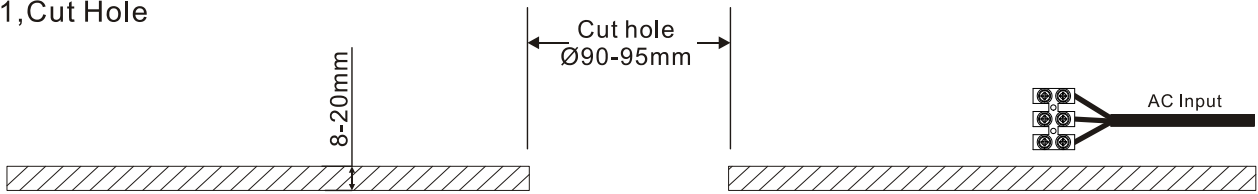
CRI90 60°

3000K

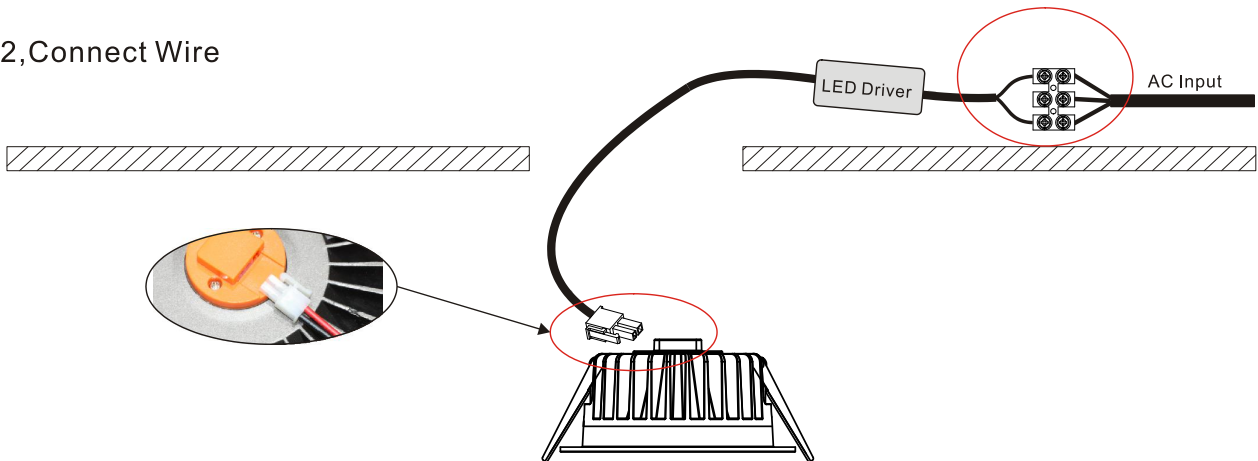
4000K

Installation instruction

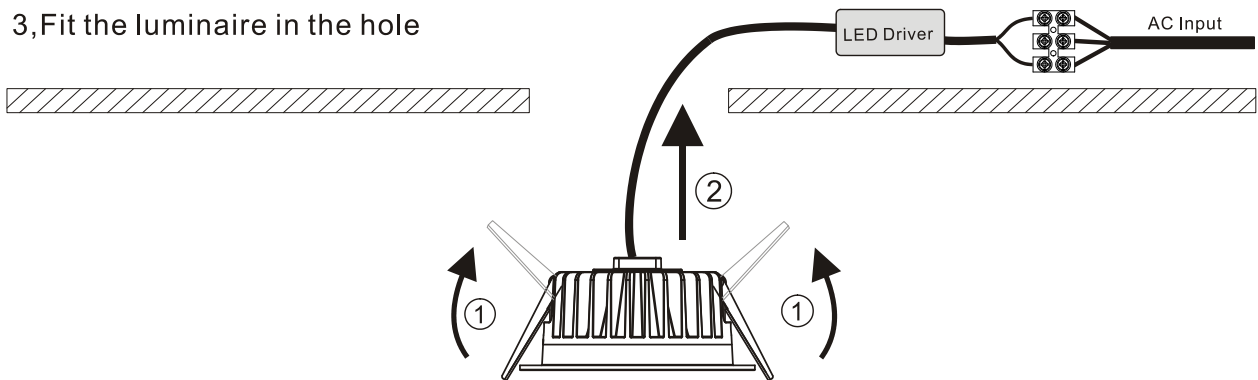
1, Cut Hole



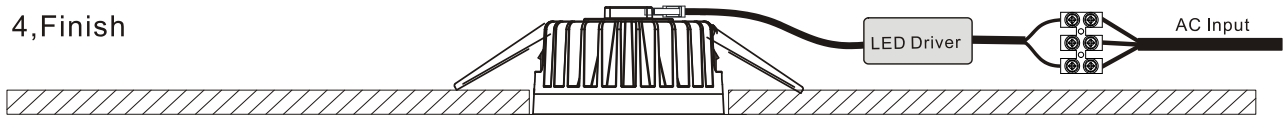
2, Connect Wire



3, Fit the luminaire in the hole



4, Finish



Packaging:

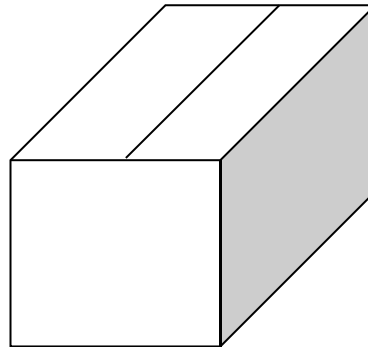


Box

L135*W135*H65mm

1pc/box

GW: 0.45kg/box



Outer carton

L710*W310*H370mm

50pcs/CTN

GW: 23kg/carton

Product naming system

