

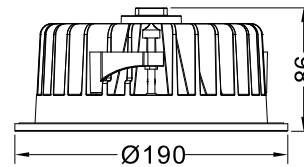
Combolite Series

BL18-28W

Reflector

Technical Parameters:

Name	Parameters
Light source:	COB
Input Voltage:	AC220~240V 50/60Hz
LED Current:	700mA (35-37V)
Rated life:	>50,000 hours
Operating temperature:	-20°C~40°C
Storage temperature:	-30°C~60°C
Certificate:	
Dimmability:	Dimmable Optional
Weight:	0.9KG



Ordering Information:

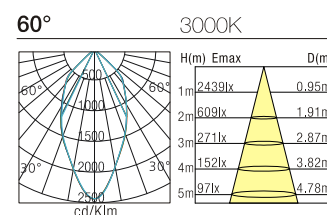
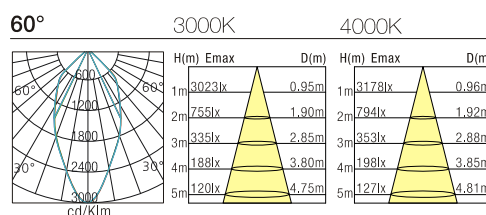
⊙White+ Gray

Power	CRI	Beam Angle	Luminous	CCT	Housing	Part Number
28W	>80	60°	2863 lm	3000K	⊙	BL181-28W-830-W-60
			3066 lm	4000K	⊙	BL181-28W-840-W-60
			3000 lm	5000K	⊙	BL181-28W-850-W-60
	>90	60°	2353 lm	3000K	⊙	BL181-28W-930-W-60

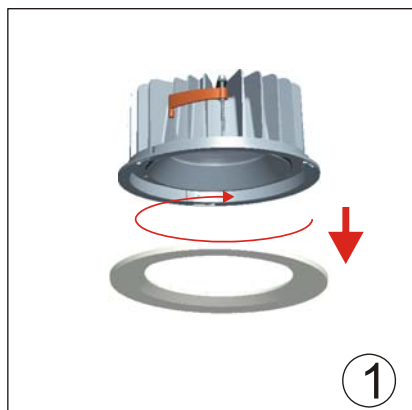
Technical Data test pattern

28W	CRI>80			CRI>90	
	LED			Luminaire	
Power	18.7W			26.8W	
Current	540mA			700mA	
Flux	2742lm	2827lm	2867lm	2863lm	3066lm
CCT	3000K	4000K	5000K	3000K	4000K
Color tolerance	3 SDCM			3 SDCM	
Service life	>35000Hrs			>35000Hrs	
Beam Angle	120°			60°	
Typical Efficiency				86%	
Efficacy(lm/W)	147	151	153	106	114

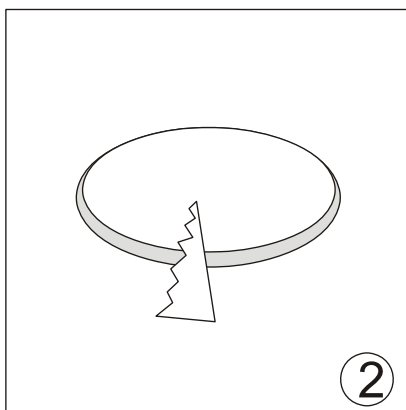
28W	CRI>80			CRI>90	
	LED			Luminaire	
Power	18.7W			26.8W	
Current	540mA			700mA	
Flux	2265lm	2353lm	3000K	2265lm	2353lm
CCT	3000K	3000K	3000K	3000K	3000K
Color tolerance	3 SDCM			3 SDCM	
Service life	>35000Hrs			>35000Hrs	
Beam Angle	120°			60°	
Typical Efficiency				86%	
Efficacy(lm/W)	121			121	87



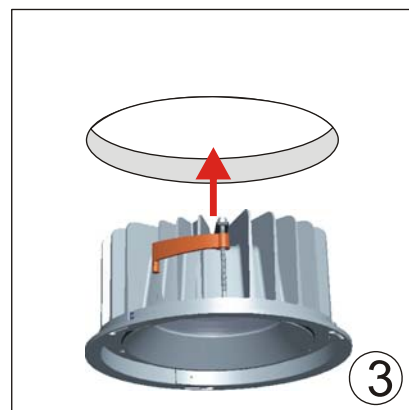
Installation instruction



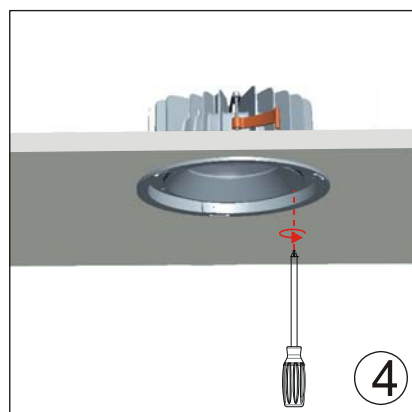
Unlock and take out the front ring.



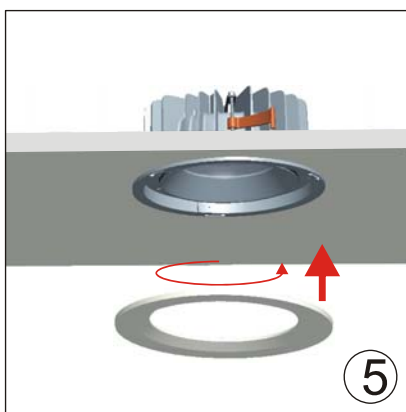
Ceiling Cut Hole Ø165-170mm



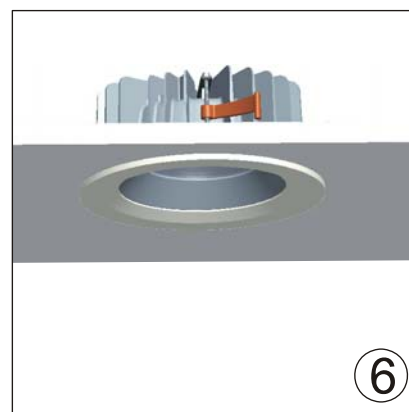
Put the lamp into the cut hole.



Use the screw driver to tighten the screw.

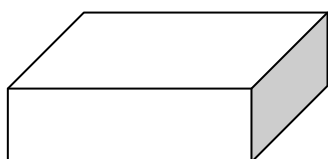


Twist the front ring into the lamp.



Done.

Packaging:

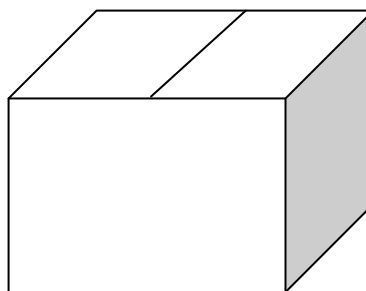


Box

L215*W215*H95mm

1pc/box

GW: 1.2kg/box



Outer carton

L460*W460*H410mm

16pcs/CTN

GW: 20.5kg/carton

Product naming system

