

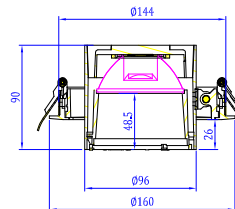
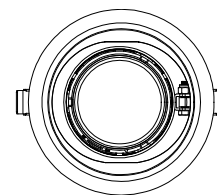
# Ceiling recessed spotlight



veraLite Series

## DL19-20W

Optical Lens



### Technical Parameters:

Name	Parameters
Light source:	COB
Input Voltage:	AC220~240V 50/60Hz
Current:	500mA
Rated life:	>50,000 hours
Operating temperature:	-20°C~40°C
Storage temperature:	-30°C~60°C
Certificate:	CE/RoHS
Weight:	0.75KG
Package(mm):	L170*W170*H160mm, 16pcs/carton

### Ordering Information:

○ White ● Black

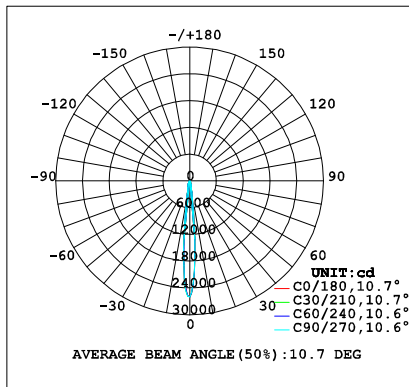
Power	CRI	Beam Angle	Luminous	CCT	Housing	Part Number
20W	>80	▲ 12°	2060lm	3000K	○	DL191-20W-830-W-12
					●	DL191-20W-830-B-12
		2056lm	4000K	○	DL191-20W-840-W-12	
				●	DL191-20W-840-B-12	
		▲ 24°	2003lm	3000K	○	DL191-20W-830-W-20
					●	DL191-20W-830-B-20
	2016 lm	4000K	○	DL191-20W-840-W-20		
			●	DL191-20W-840-B-20		
	▲ 36°	1988 lm	3000K	○	DL191-20W-830-W-36	
				●	DL191-20W-830-B-36	
	2001 lm	4000K	○	DL191-20W-840-W-36		
			●	DL191-20W-840-B-36		
>90	▲ 12°	▲ 12°	1692lm	3000K	○	DL191-20W-930-W-12
					●	DL191-20W-930-B-12
		1870lm	4000K	○	DL191-20W-940-W-12	
				●	DL191-20W-940-B-12	
		▲ 24°	1663lm	3000K	○	DL191-20W-930-W-20
					●	DL191-20W-930-B-20
	1827lm	4000K	○	DL191-20W-940-W-20		
			●	DL191-20W-940-B-20		
	▲ 36°	1657lm	3000K	○	DL191-20W-930-W-36	
				●	DL191-20W-930-B-36	
	1827lm	4000K	○	DL191-20W-940-W-36		
			●	DL191-20W-940-B-36		

# Ceiling recessed spotlight

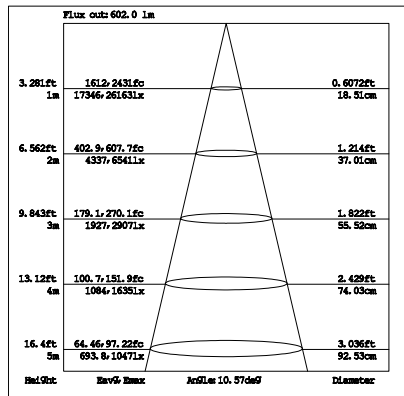


## Technical Data test pattern

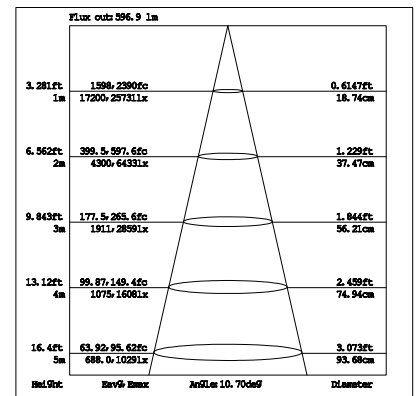
CRI80 12°



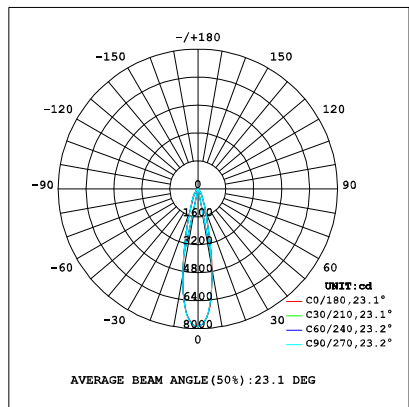
3000K



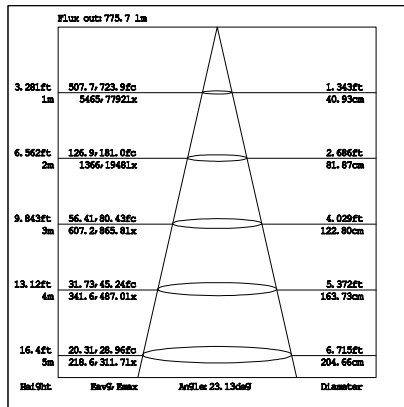
4000K



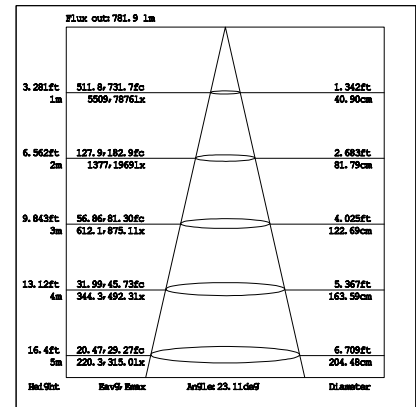
CRI80 24°



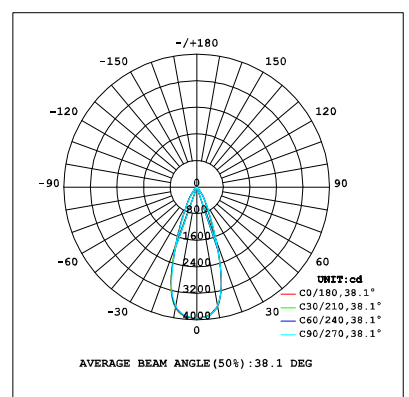
3000K



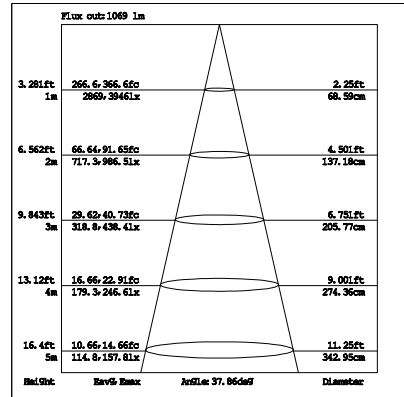
4000K



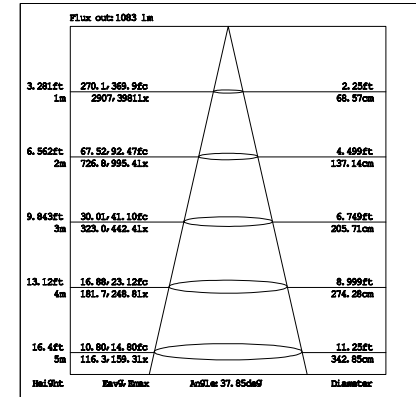
CRI80 36°



3000K



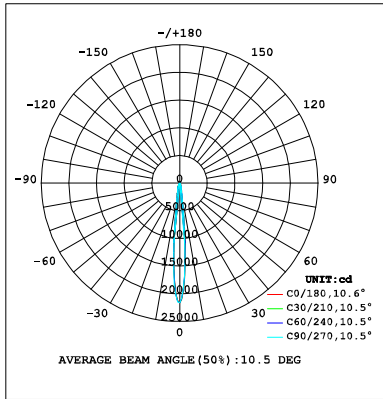
4000K



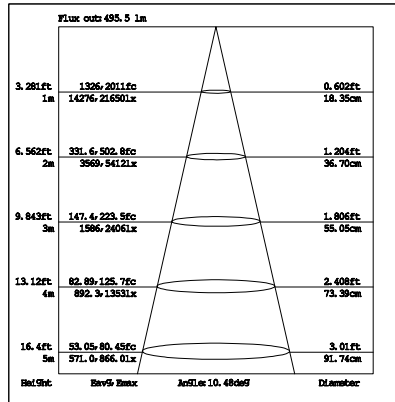
# Ceiling recessed spotlight



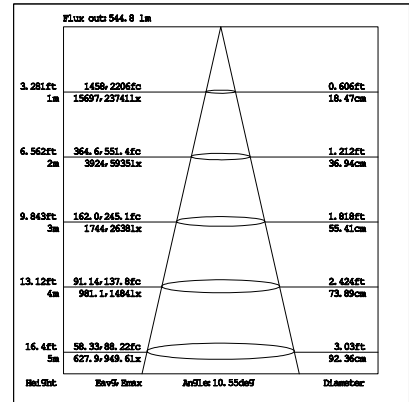
CRI90 12°



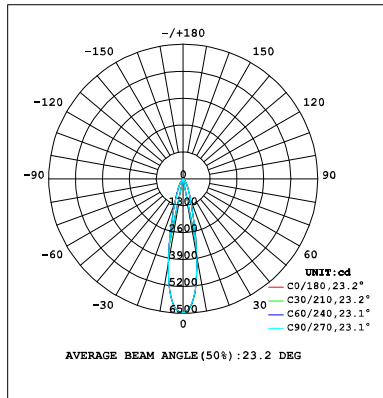
3000K



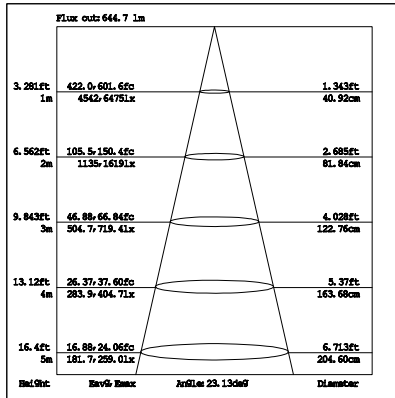
4000K



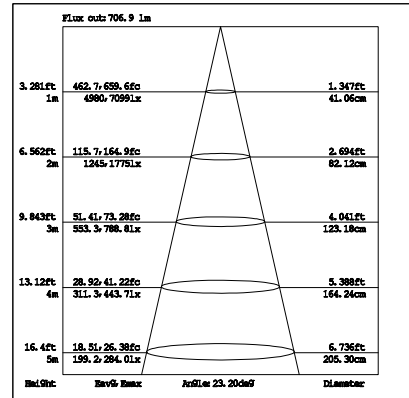
CRI90 24°



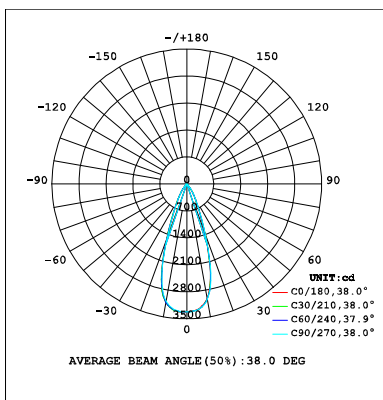
3000K



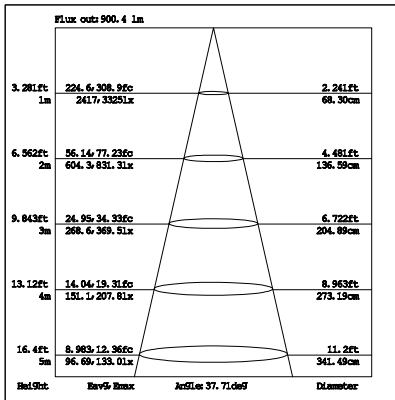
4000K



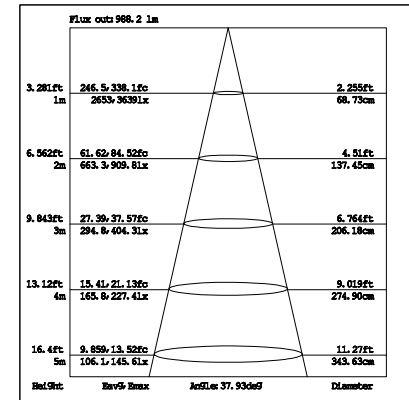
CRI90 36°



3000K



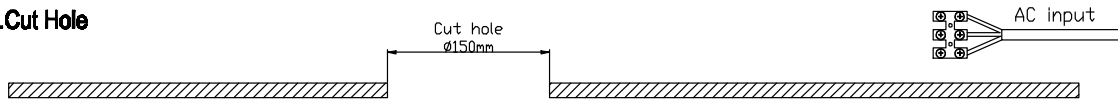
4000K



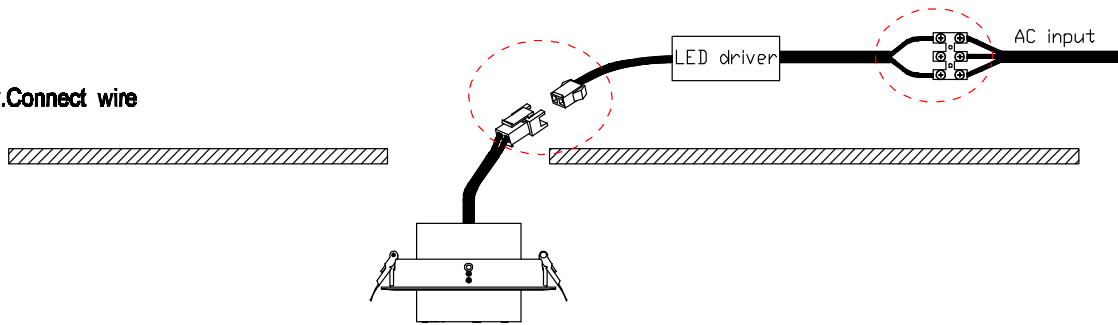
## Installation instruction

### Installation instruction

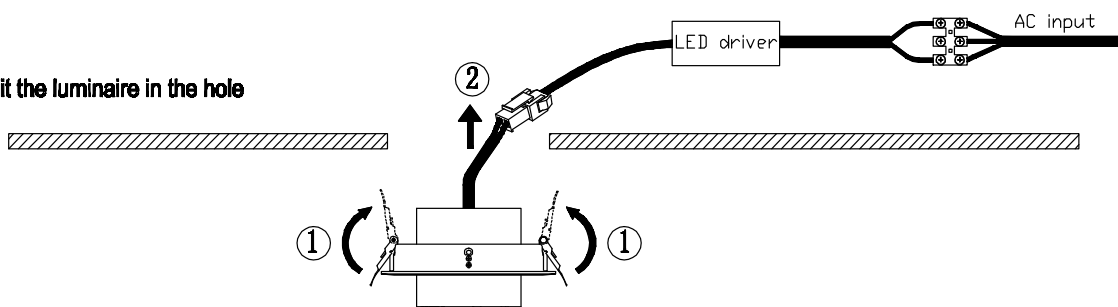
#### 1. Cut Hole



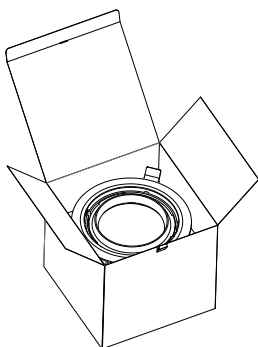
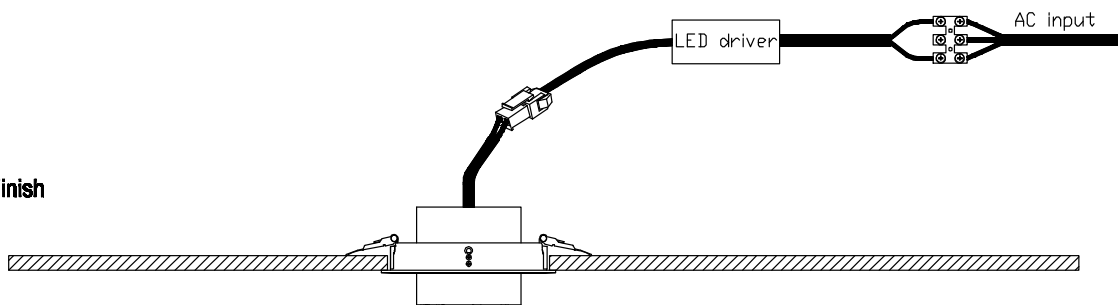
#### 2. Connect wire



#### 3. Fit the luminaire in the hole



#### 4. Finish

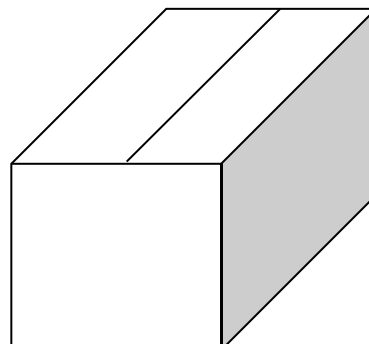


#### Box

L170\*W170\*H165mm

1pc/box

GW: 0.8kg/box



#### Outer carton

L700\*W370\*H390mm

16pcs/CTN

GW: 14kg/carton

## Product Nomenclature

DL ( X ) XX X (H) – X – X XX – X- XX

