

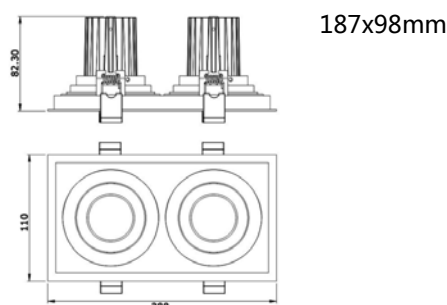
iGrid Series

**GL05 2X8W**

Reflector

**Technical Parameters:**

Name	Parameters
Light source:	COB
Input Voltage:	AC220~240V 50/60Hz
LED Current:	350mA, 17.8V
Rated life:	>50,000 hours
Operating temperature:	-20°C~40°C
Storage temperature:	-30°C~60°C
Certificate:	CE/RoHS
Dimmability:	Dimmable Optional
Weight:	0.4KG



**Ordering Information:**

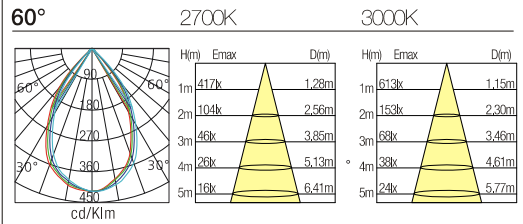
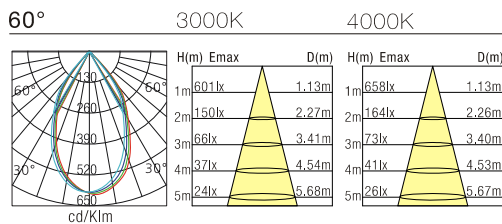
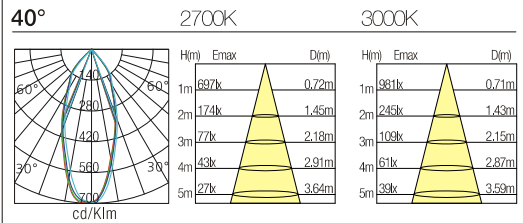
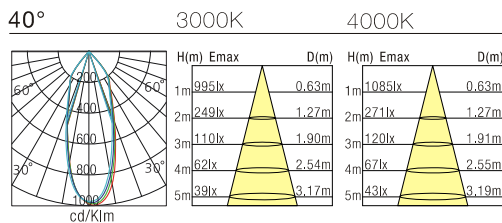
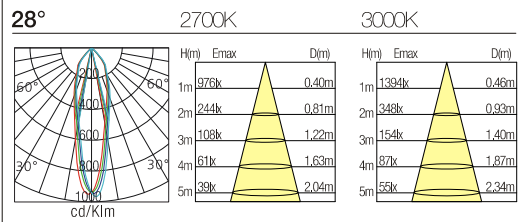
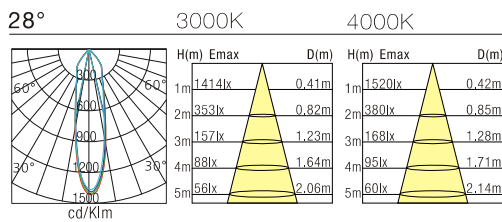
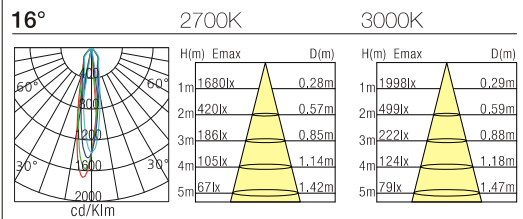
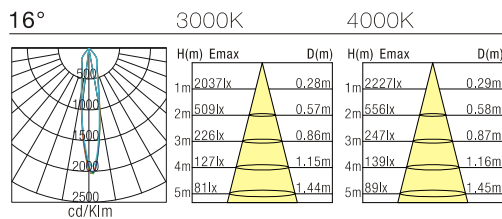
○ White

Power	CRI	Beam Angle	Luminous	CCT	Housing	Part Number
2X8W	>80	▲ 16°	1037 lm	3000K	○	GL0521-8W-830-W-16
			1139 lm	4000K	○	GL0521-8W-840-W-16
			1196 lm	5000K	○	GL0521-8W-850-W-16
		▲ 28°	1020 lm	3000K	○	GL0521-8W-830-W-28
			1113 lm	4000K	○	GL0521-8W-840-W-28
			1169 lm	5000K	○	GL0521-8W-850-W-28
		▲ 40°	1037 lm	3000K	○	GL0521-8W-830-W-40
			1139 lm	4000K	○	GL0521-8W-840-W-40
			1196 lm	5000K	○	GL0521-8W-850-W-40
▲ 60°	1003 lm	3000K	○	GL0521-8W-830-W-60		
	1105 lm	4000K	○	GL0521-8W-840-W-60		
	1161 lm	5000K	○	GL0521-8W-850-W-60		

Technical Data test pattern

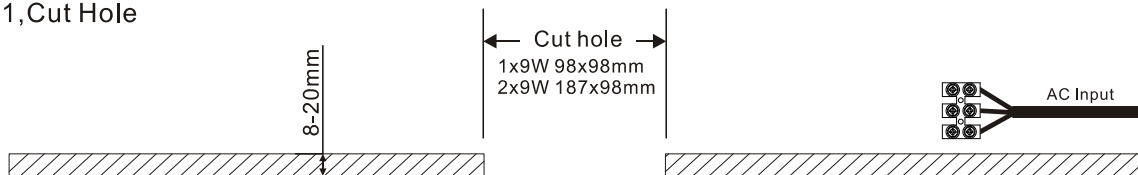
8W	CRI>80					
	LED		Luminaire			
Power	6.2W		7.8W			
Current	350mA		350mA			
Luminous Flux	785lm	820lm	510lm	610lm	670lm	
CCT	3000K	4000K	2700K	3000K	4000K	
Color tolerance	3 SDCM					
Service life	>50,000Hrs					
Beam Angle	120°		16°/28°/40°/60°			
Typical Efficiency	80%					
Efficacy (lm/W)	126	131	65	78	85	

8W	CRI>90			
	LED		Luminaire	
Power	6.2W		7.8W	
Current	350mA		350mA	
Luminous Flux	590lm	625lm	485lm	605lm
CCT	4000K	3000K	2700K	3000K
Color tolerance	3 SDCM			
Service life	>50,000Hrs			
Beam Angle	120°		16°/28°/40°/60°	
Typical Efficiency	80%			
Efficacy (lm/W)	95	100	62	77

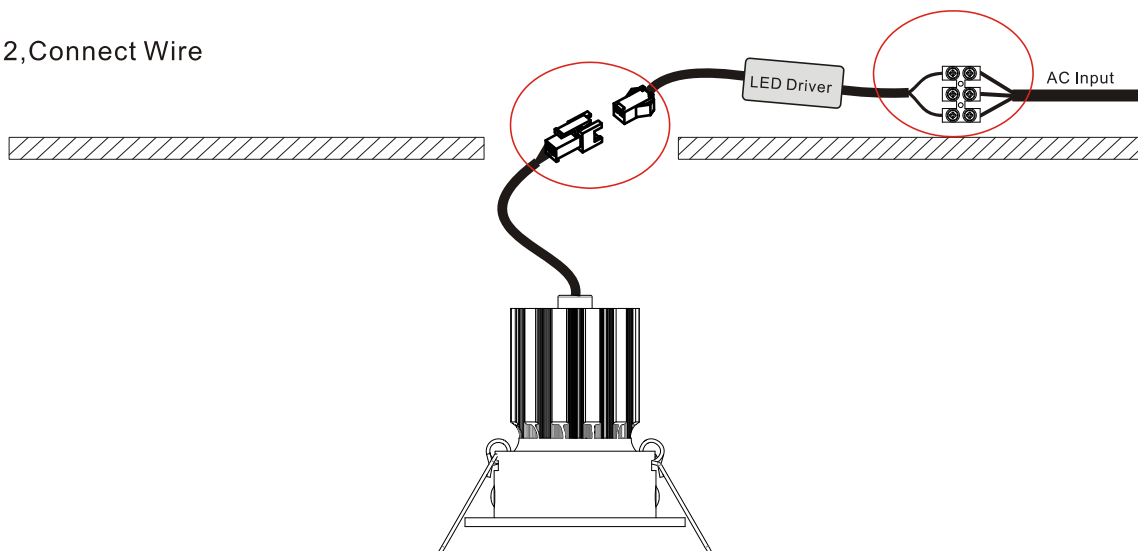


Installation instruction

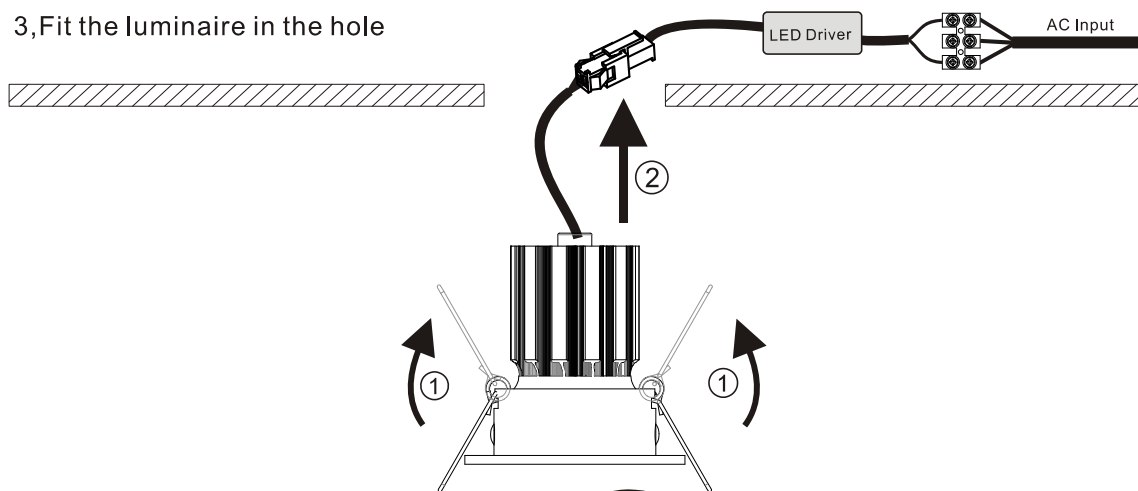
1, Cut Hole



2, Connect Wire



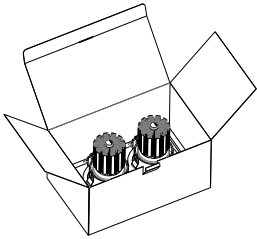
3, Fit the luminaire in the hole



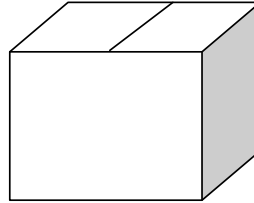
4, Finish



Packaging:



**Box**  
 L210\*W140\*H155mm  
 1pc/box  
 GW: 0.6kg/box



**Outer carton**  
 L450\*W450\*H410mm  
 18pc/box  
 GW: 11kg/carton

Product Nomenclature

**GL ( X ) XX X X - XW - X XX - X- XX**

