

iGrid Series

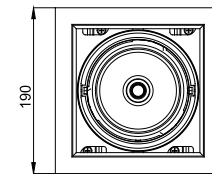
GL10-1X20W

Reflector

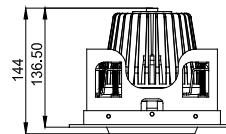


Technical Parameters:

Name	Parameters
Light source:	COB
Input Voltage:	AC220~240V 50/60Hz
LED Current:	500mA (35-37V)
Rated life:	>50,000 hours
Operating temperature:	-20°C~40°C
Storage temperature:	-30°C~60°C
Certificate:	TUV/CE/RoHS
Dimmability:	Dimmable Optional
Weight:	1.0KG



165X165mm



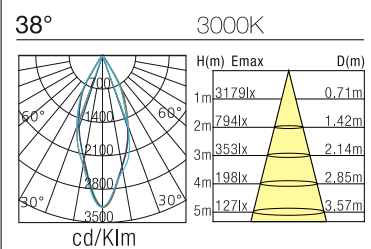
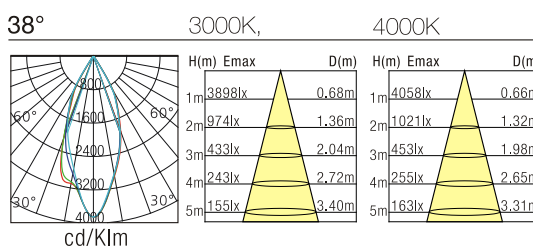
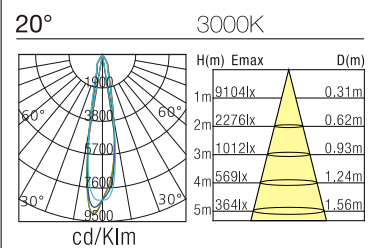
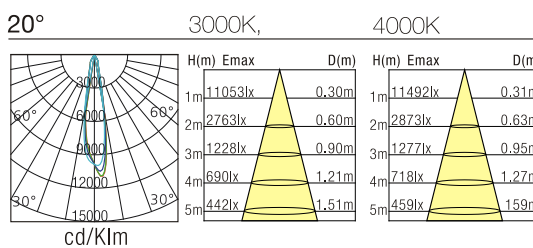
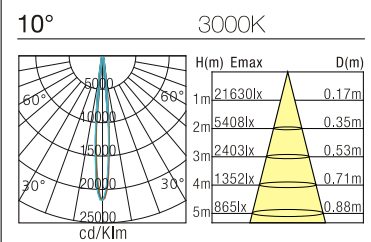
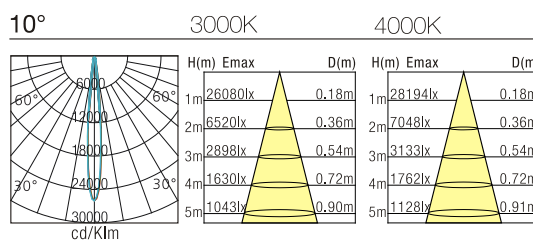
Ordering Information:

● White+Black

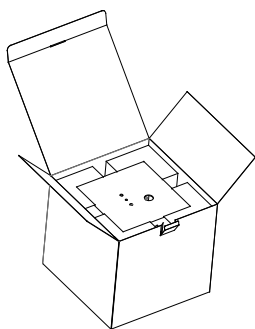
Power	CRI	Beam Angle	Luminous	CCT	Housing	Part Number	
1X20W	>80	▲ 10°	1949 lm	3000K	●	GL1011-20W-830-W-10	
			2179 lm	4000K	●	GL1011-20W-840-W-10	
			2288 lm	5000K	●	GL1011-20W-850-W-10	
	>80	▲ 20°	▲ 20°	1941 lm	3000K	●	GL1011-20W-830-W-20
				2130 lm	4000K	●	GL1011-20W-840-W-20
				2237 lm	5000K	●	GL1011-20W-850-W-20
		▲ 38°	▲ 38°	1939 lm	3000K	●	GL1011-20W-830-W-38
				2049 lm	4000K	●	GL1011-20W-840-W-38
				2152 lm	5000K	●	GL1011-20W-850-W-38
>90	▲ 10°	▲ 10°	1624 lm	3000K	●	GL1011-20W-930-W-10	
			1612 lm	3000K	●	GL1011-20W-930-W-20	
			1603 lm	3000K	●	GL1011-20W-930-W-38	

Technical Data test pattern

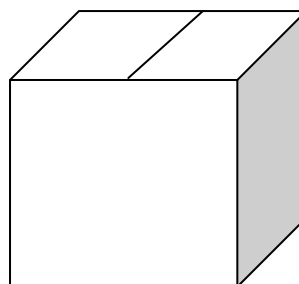
20W	CRI>80						CRI>90	
	LED			Luminaire			LED	Luminaire
Power	12.5W			20W			12.5W	20W
Current	360mA			500mA			360mA	500mA
Flux	1770lm	1826lm	1850lm	1949lm	2179lm		1463lm	1624lm
CCT	3000K	4000K	5000K	3000K	4000K		3000K	3000K
Color tolerance	3 SDCM						3 SDCM	
Service life	>50000Hrs			>50000Hrs			>50000Hrs	>50000Hrs
Beam Angle	120°			10°\20°\38°			120°	10°\20°\38°
Typical Efficiency				88%				88%
Efficacy(lm/W)	141	146	148	97	109		117	81



Packaging:

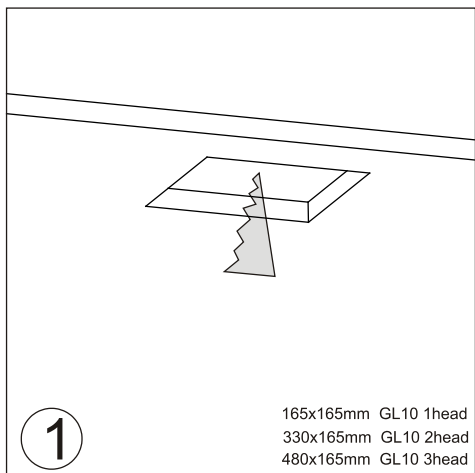


Box
L210*W210*H170mm
1pc/box
GW: 1.2kg/box

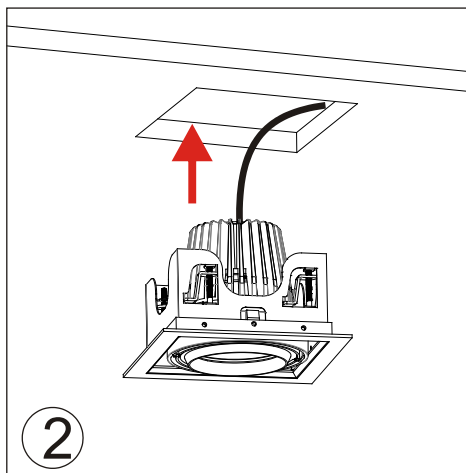


Outer carton
L450*W450*H360mm
8pcs/box
GW: 10.5kg/carton

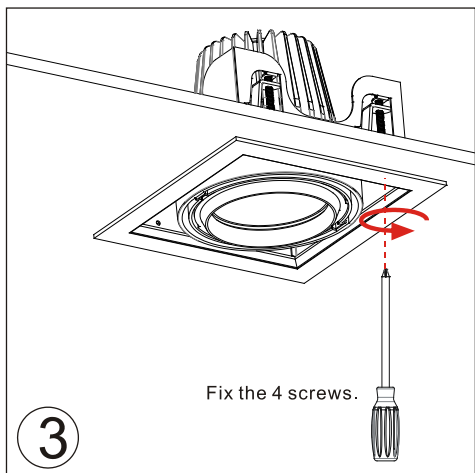
Installation instruction



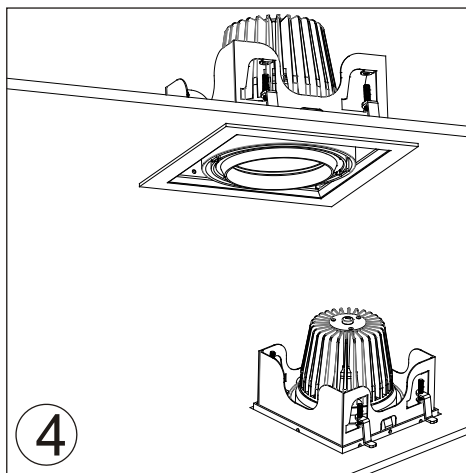
Ceiling Cut Hole



1, Connect Wire.
2, Put the lamp into the cut hole.



Use the screw driver to tighten the screw.



Done.

Product naming system

GL (X) XX X X - X - X XX - X - XX

