

iGrid Series

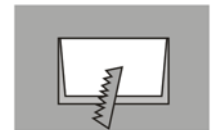
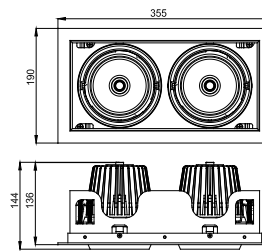
GL10-2X40W

Reflector



Technical Parameters:

Name	Parameters
Light source:	COB
Input Voltage:	AC220~240V 50/60Hz
LED Current:	1000mA (35-37V)
Rated life:	>50,000 hours
Operating temperature:	-20°C~40°C
Storage temperature:	-30°C~60°C
Certificate:	TUV/CE/RoHS
Dimmability:	Dimmable Optional
Weight:	3.5KG



330X165mm

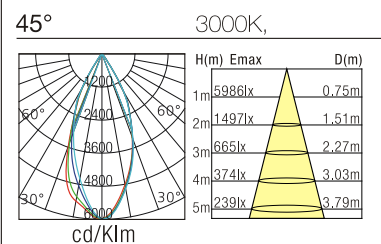
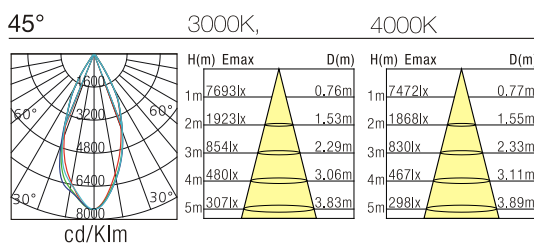
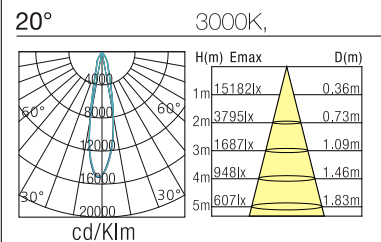
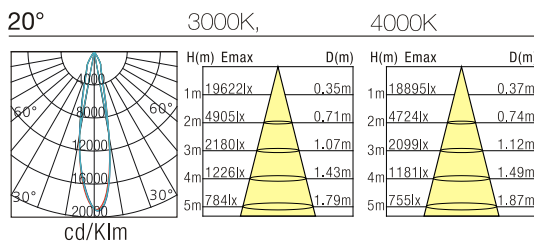
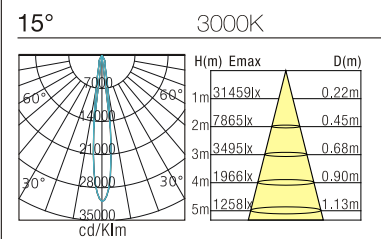
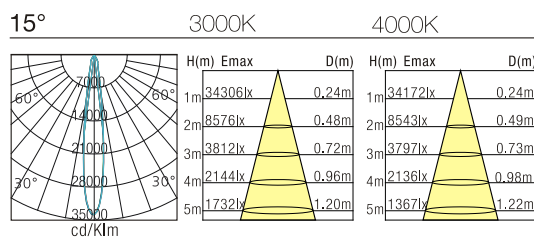
Ordering Information:

● White+Black

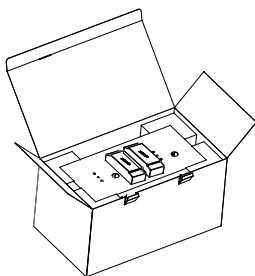
Power	CRI	Beam Angle	Luminous	CCT	Housing	Part Number	
2X40W	>80	▲ 15°	6330 lm	3000K	●	GL1021-40W-830-W-15	
			6600 lm	4000K	●	GL1021-40W-840-W-15	
			6640 lm	5000K	●	GL1021-40W-850-W-15	
		▲ 20°	6000 lm	3000K	●	GL1021-40W-830-W-20	
			6310 lm	4000K	●	GL1021-40W-840-W-20	
			6540 lm	5000K	●	GL1021-40W-850-W-20	
			▲ 45°	6030 lm	3000K	●	GL1021-40W-830-W-45
				6390 lm	4000K	●	GL1021-40W-840-W-45
				6690 lm	5000K	●	GL1021-40W-850-W-45
>90	▲ 15°	5130 lm	3000K	●	GL1021-40W-930-W-15		
		5160 lm	3000K	●	GL1021-40W-930-W-20		
		5070 lm	3000K	●	GL1021-40W-930-W-45		

Technical Data test pattern

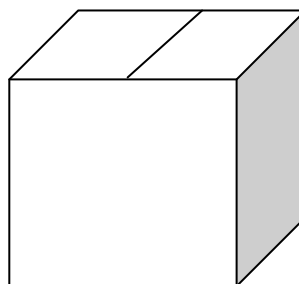
40W	CRI>80			Luminaire		CRI>90			Luminaire	
	LED					LED				
Power	24.9W			41.4W		24.9W			41.4W	
Current	720mA			1000mA		720mA			1000mA	
Flux	3586lm	3697lm	3794lm	4213lm	4330lm	2962lm	3363lm			
CCT	3000K	4000K	5000K	3000K	4000K	3000K	3000K			
Color tolerance	3 SDCM					3 SDCM				
Service life	>50000Hrs			>50,000Hrs		>50000Hrs			>50,000Hrs	
Beam Angle	120°			15°\20°\45°		120°			15°\20°\45°	
Typical Efficiency				85%					85%	
Efficacy(lm/W)	144	148	150	101	104	119	81			



Packaging:

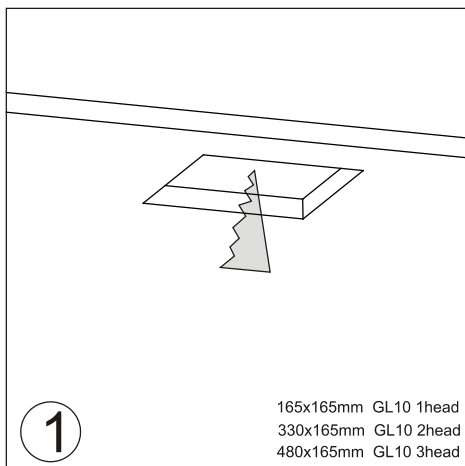


Box
 L375*W210*H170mm
 1pc/box
 GW: 2.0kg/box

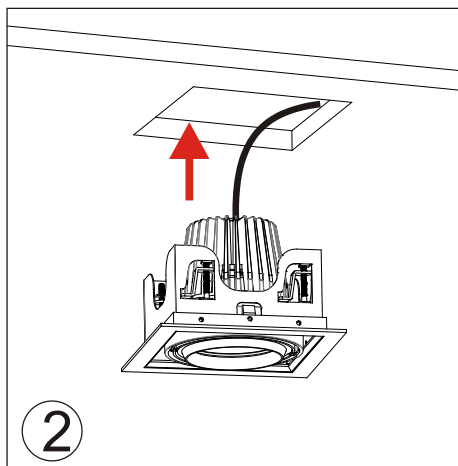


Outer carton
 L450*W400*H360mm
 4pcs/box
 GW: 9.5kg/carton

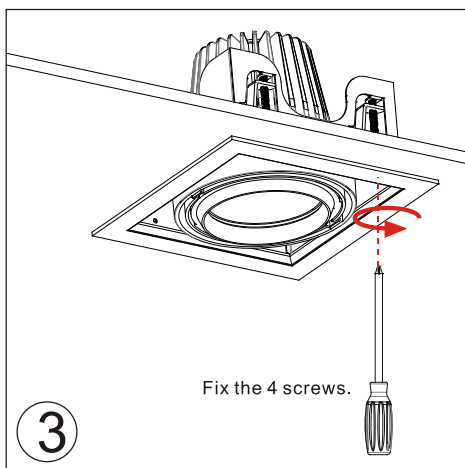
Installation instruction



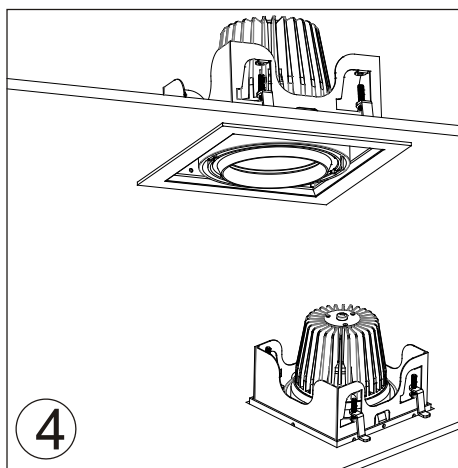
Ceiling Cut Hole



1, Connect Wire.
2, Put the lamp into the cut hole.



Use the screw driver to tighten the screw.



Done.

Product naming system

GL (X) XX X X - X - X XX - X - XX

