

iGrid Series

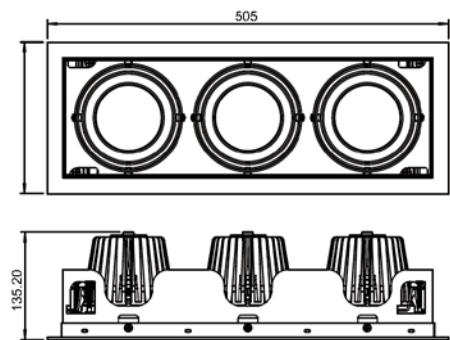
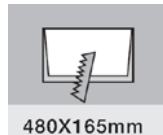
GL10-3X30W

Reflector



Technical Parameters:

Name	Parameters
Light source:	COB
Input Voltage:	AC220~240V 50/60Hz
LED Current:	700mA (35-37V)
Rated life:	>50,000 hours
Operating temperature:	-20°C~40°C
Storage temperature:	-30°C~60°C
Certificate:	TUV/CE/RoHS
Dimmability:	Dimmable Optional
Weight:	4.5KG



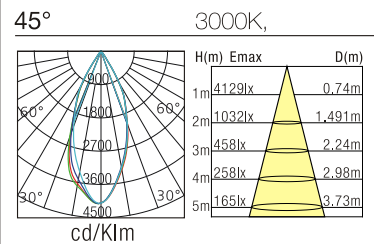
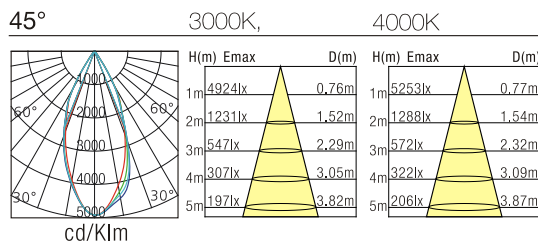
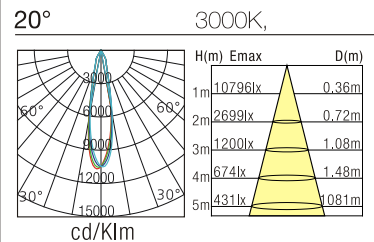
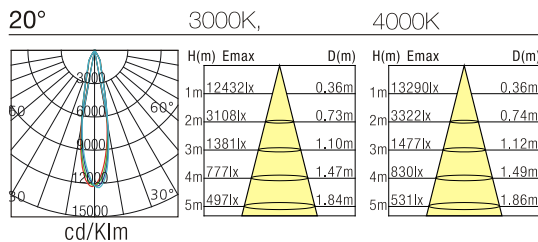
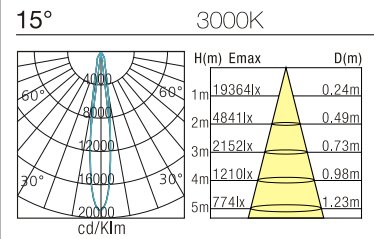
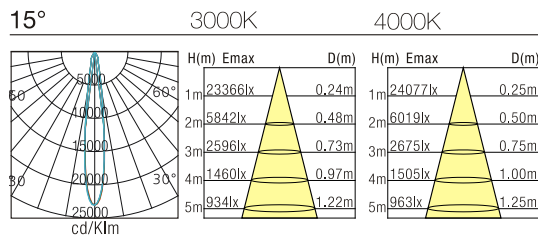
Ordering Information:

● White+Black

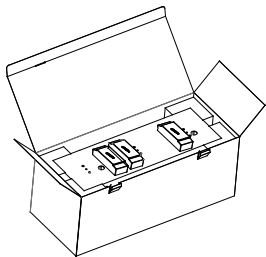
Power	CRI	Beam Angle	Luminous	CCT	Housing	Part Number
3X30W	>80	▲ 15°	6700 lm	3000K	●	GL1031-30W-830-W-15
			7300 lm	4000K	●	GL1031-30W-840-W-15
			7500 lm	5000K	●	GL1031-30W-850-W-15
		▲ 20°	6800 lm	3000K	●	GL1031-30W-830-W-20
			7000 lm	4000K	●	GL1031-30W-840-W-20
			7250 lm	5000K	●	GL1031-30W-850-W-20
		▲ 45°	6650 lm	3000K	●	GL1031-30W-830-W-45
			6950 lm	4000K	●	GL1031-30W-840-W-45
			7300 lm	5000K	●	GL1031-30W-850-W-45
>90	▲ 15°	5600 lm	3000K	●	GL1031-30W-930-W-15	
		5470 lm	3000K	●	GL1031-30W-930-W-20	
		5600 lm	3000K	●	GL1031-30W-930-W-45	

Technical Data test pattern

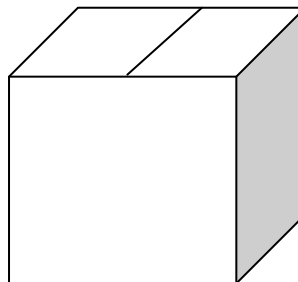
30W	CRI>80			CRI>90	
	LED			Luminaire	
Power	18.7W			29.5W	
Current	540mA			700mA	
Flux	2742lm	2827lm	2867lm	2913lm	3130lm
CCT	3000K	4000K	5000K	3000K	4000K
Color tolerance	3 SDCM				
Service life	>50000Hrs			>50000Hrs	
Beam Angle	120°			15°\20°\45°	
Typical Efficiency				85%	
Efficacy(lm/W)	147	151	153	98	106



Packaging:

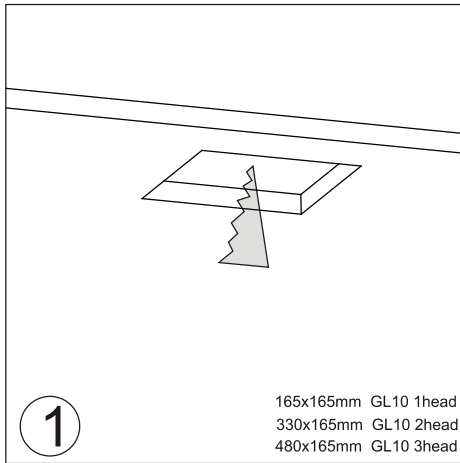


Box
 L525*W210*H170mm
 1pc/box
 GW: 4.6kg/box

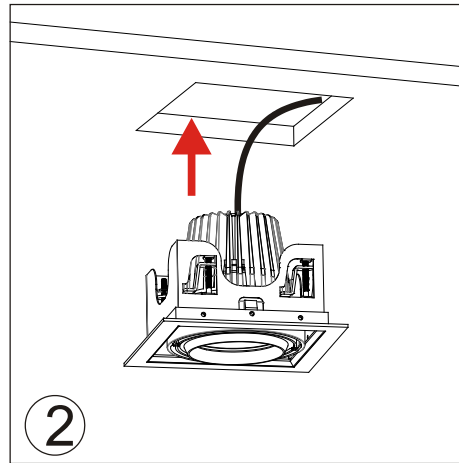


Outer carton
 L550*W450*H360mm
 4pcs/box
 GW: 29kg/carton

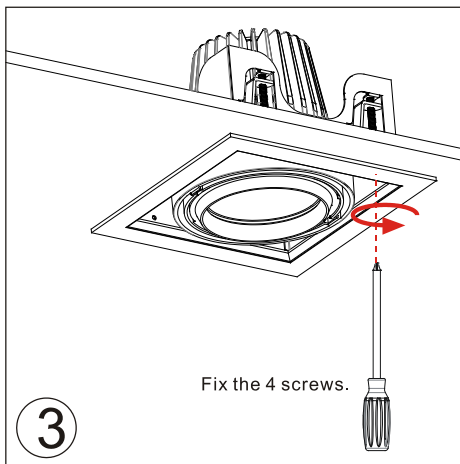
Installation instruction



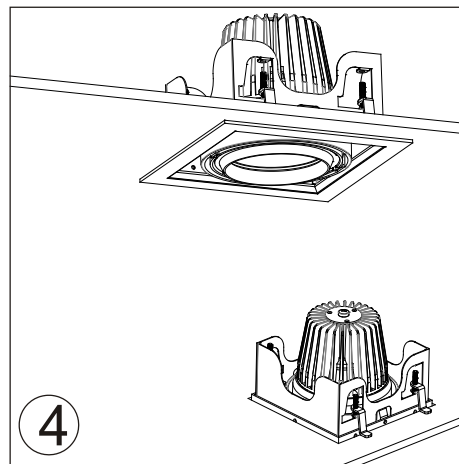
Ceiling Cut Hole



1, Connect Wire.
2, Put the lamp into the cut hole.



Use the screw driver to tightten the screw.



Done.

Product naming system

GL (X) XX X X - X - X XX - X - XX

