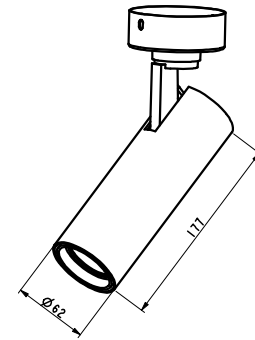


iTrack Pro Series

**RL042-15W**

Reflector



Technical Parameters:

Name	Parameters
Light source:	COB
Input Voltage:	AC220~240V 50/60Hz
LED Current:	350mA, 35-37V
Rated life:	>50,000 hours
Operating temperature:	-24°C~40°C
Storage temperature:	-30°C~60°C
Certificate:	CE/RoHS
Weight:	0.5KG

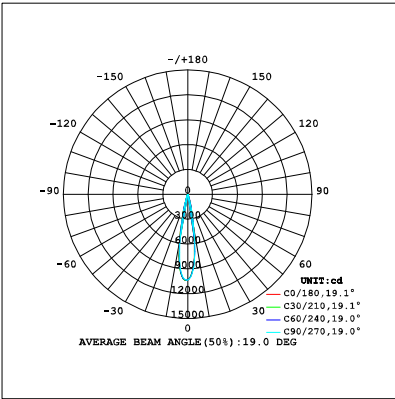
Ordering Information:

○ White ● Black

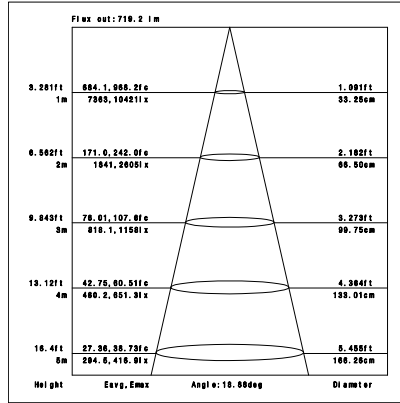
Power	CRI	Beam Angle	Luminous	CCT	Housing	Part Number	
15W	>80	▲ 16°	1370 lm	3000K	○	RL042-15W-830-W-16	
					●	RL042-15W-830-B-16	
			1390 lm	4000K	○	RL042-15W-840-W-16	
				●	RL042-15W-840-B-16		
		▲ 24°	1560 lm	3000K	○	RL042-15W-830-W-24	
				●	RL042-15W-830-B-24		
			1620 lm	4000K	○	RL042-15W-840-W-24	
				●	RL042-15W-840-B-24		
		▲ 36°	1630 lm	3000K	○	RL042-15W-830-W-36	
				●	RL042-15W-830-B-36		
			1680 lm	4000K	○	RL042-15W-840-W-36	
				●	RL042-15W-840-B-36		
	>90	▲ 16°		1150 lm	3000K	○	RL042-15W-930-W-16
					●	RL042-15W-930-B-16	
				1280 lm	4000K	○	RL042-15W-940-W-16
					●	RL042-15W-940-B-16	
			▲ 24°	1300 lm	3000K	○	RL042-15W-930-W-24
					●	RL042-15W-930-B-24	
			1450 lm	4000K	○	RL042-15W-940-W-24	
				●	RL042-15W-940-B-24		
		▲ 36°	1370 lm	3000K	○	RL042-15W-930-W-36	
				●	RL042-15W-930-B-36		
			1530 lm	4000K	○	RL042-15W-940-W-36	
				●	RL042-15W-940-B-36		

Technical Data test pattern

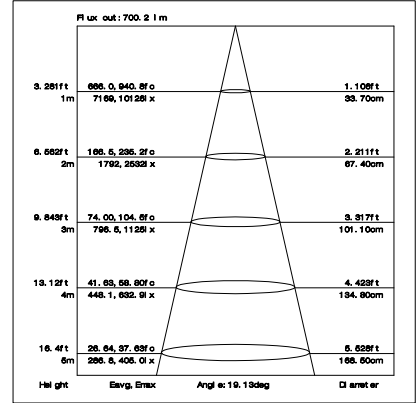
CRI80 16°



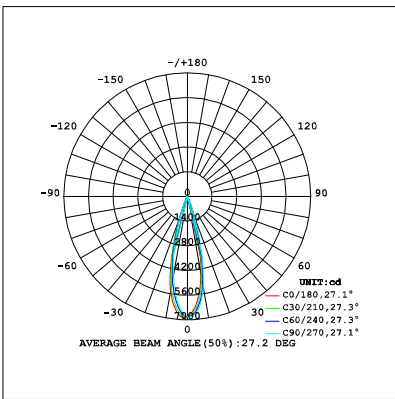
3000K



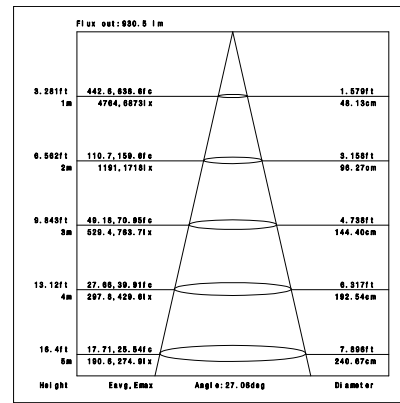
4000K



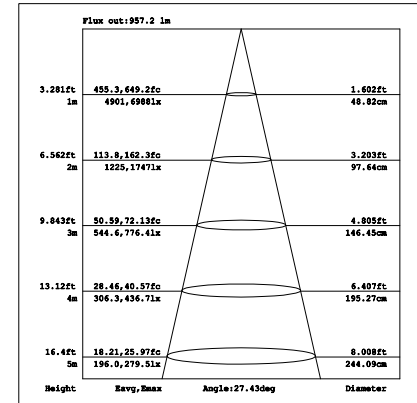
CRI80 24°



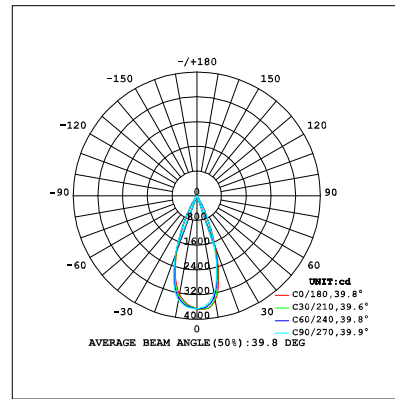
3000K



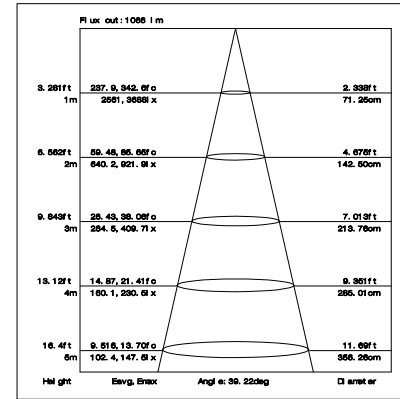
4000K



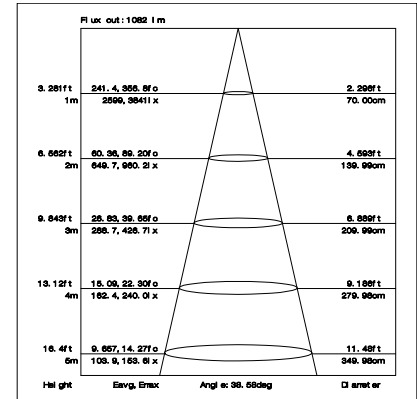
CRI80 36°



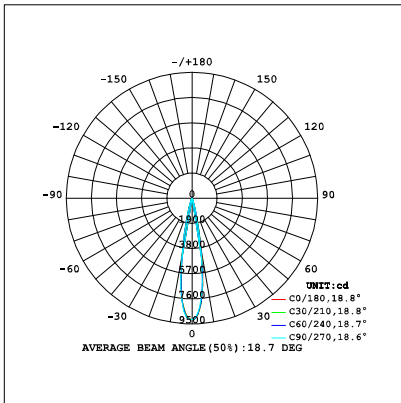
3000K



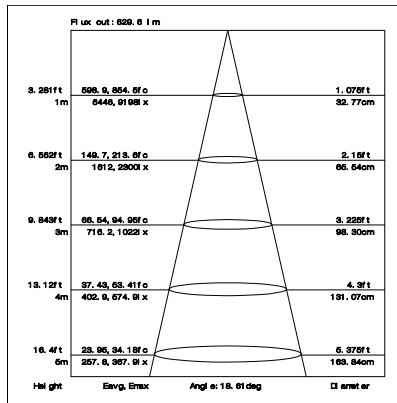
4000K



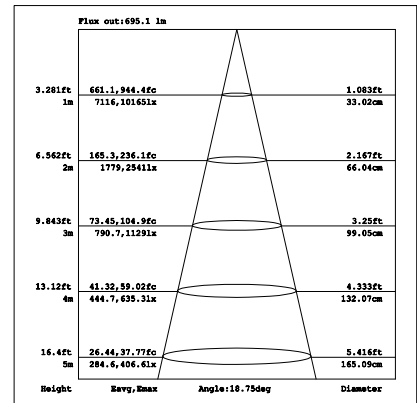
CRI90 16°



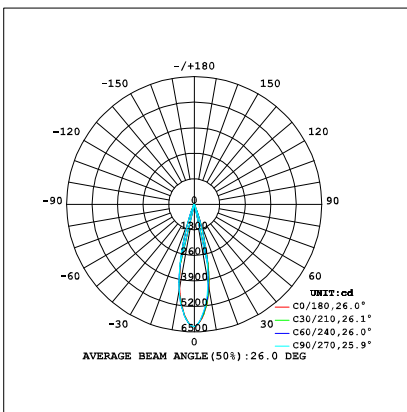
3000K



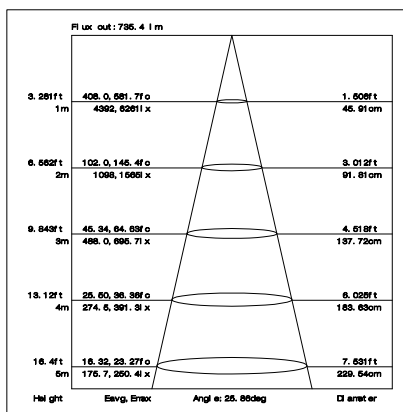
4000K



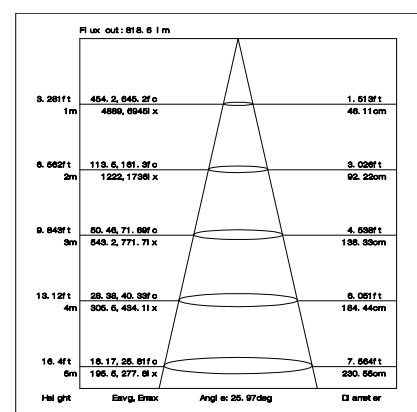
CRI90 24°



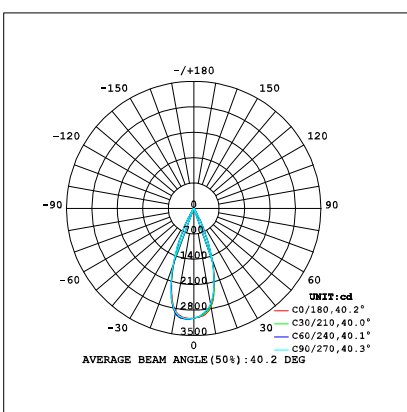
3000K



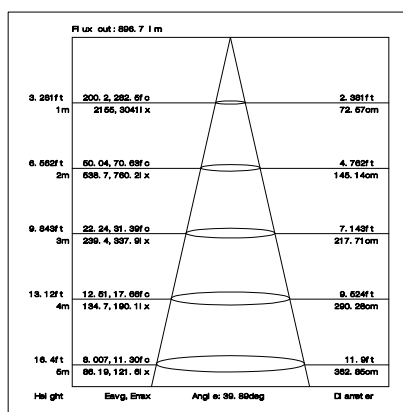
4000K



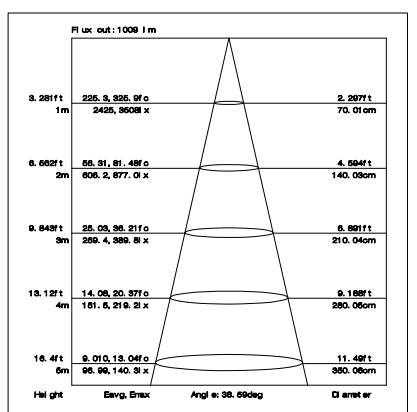
CRI90 36°



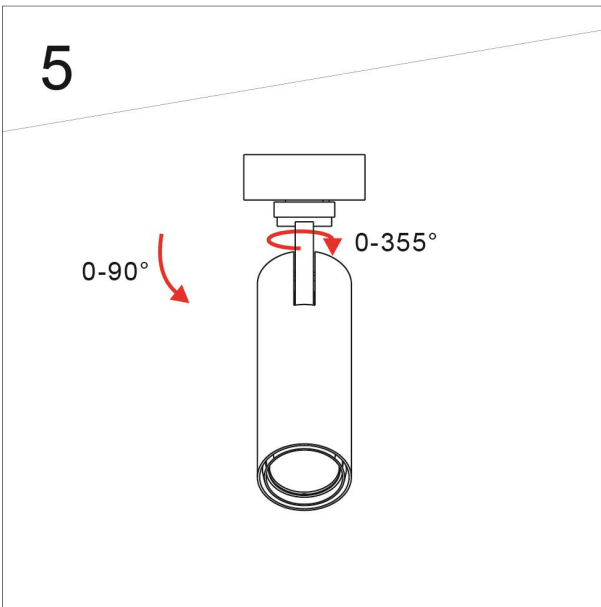
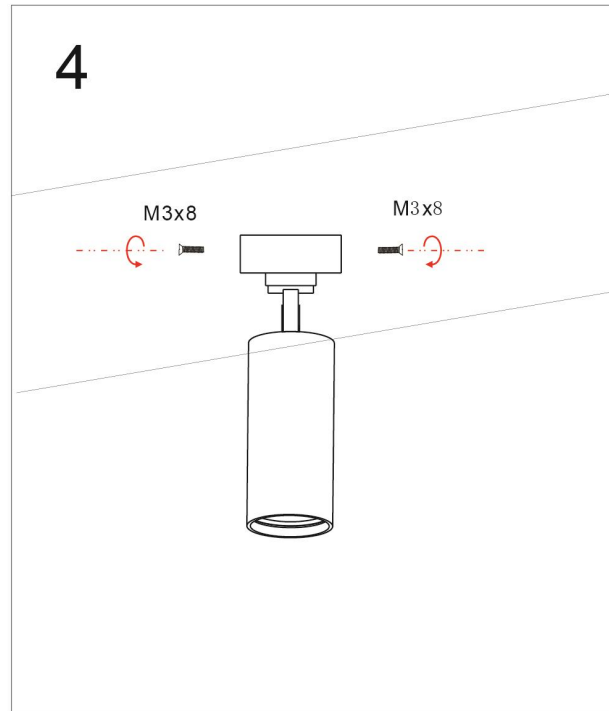
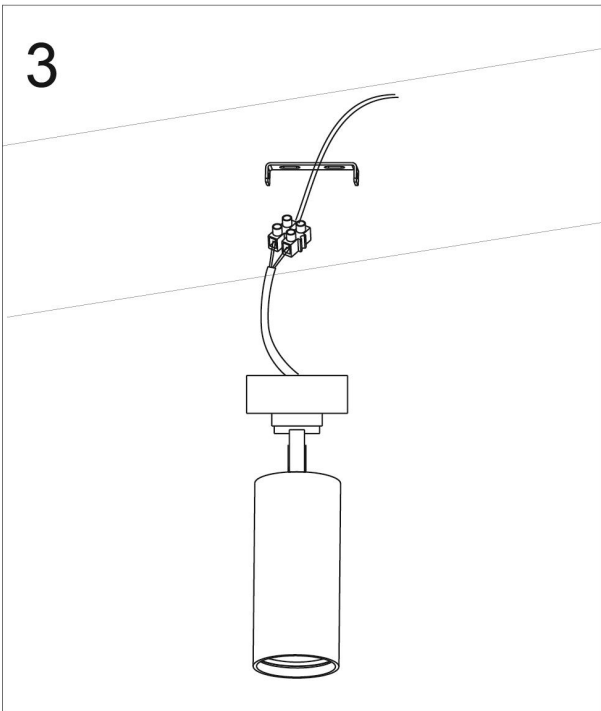
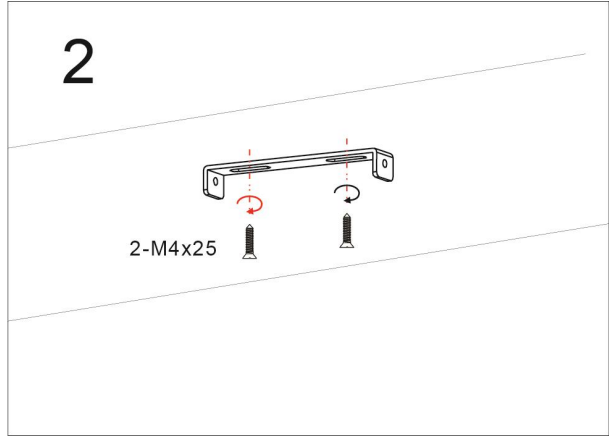
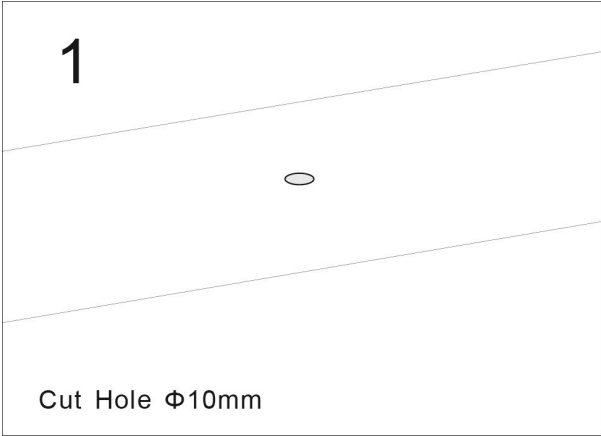
3000K



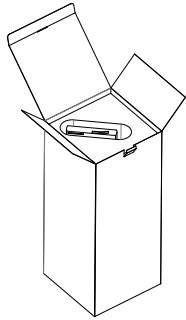
4000K



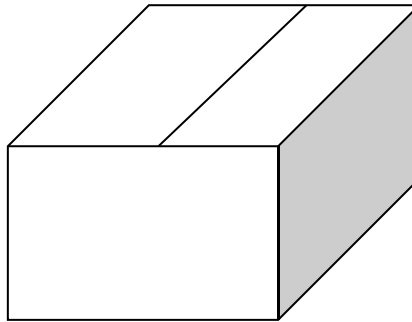
Installation instruction



Packaging:



Box  
L100\*W100\*H290mm  
1pc/box  
GW: 0.7kg/box



Outer carton  
L515\*W415\*H305mm  
20 pcs/CTN  
GW: 16kg/carton

Product naming system

**RL ( X ) XX X ( H ) - XW - X XX - X - XX**

