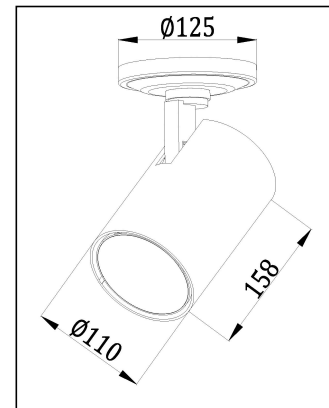


iTrack Pro Series

RL062-30W

Reflector



Technical Parameters:

Name	Parameters
Light source:	COB
Input Voltage:	AC220~240V 50/60Hz
LED Current:	700mA, 35-37V
Rated life:	>50,000 hours
Operating temperature:	-20°C ~40°C
Storage temperature:	-30°C ~60°C
Certificate:	CE/RoHS
Weight:	1.15KG

Ordering Information:

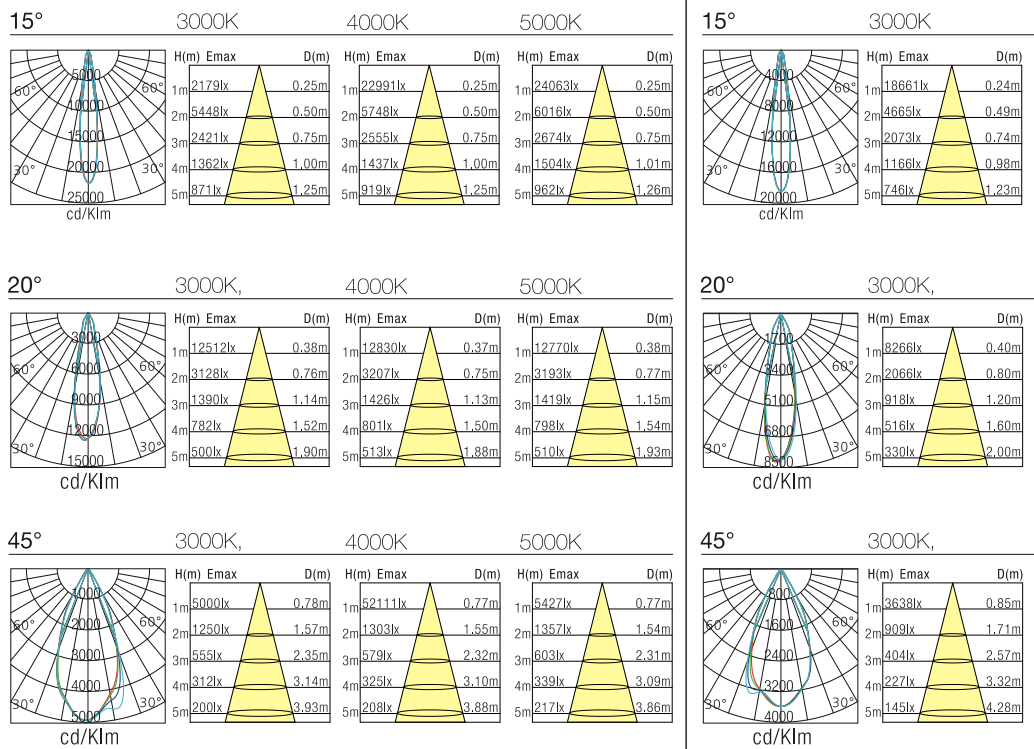
○ White ● Black

Power	CRI	Beam Angle	Luminous	CCT	Housing	Part Number
30W	>80	▲ 15°	2980 lm	3000K	○	RL062-30W-830-W-15
					●	RL062-30W-830-B-15
		▲ 20°	3160 lm	4000K	○	RL062-30W-840-W-15
					●	RL062-30W-840-B-15
		▲ 45°	3010 lm	3000K	○	RL062-30W-830-W-20
					●	RL062-30W-830-B-20
	>90	▲ 15°	3250 lm	4000K	○	RL062-30W-840-W-20
					●	RL062-30W-840-B-20
		▲ 20°	2990 lm	3000K	○	RL062-30W-830-W-45
					●	RL062-30W-830-B-45
		▲ 45°	3190 lm	4000K	○	RL062-30W-840-W-45
					●	RL062-30W-840-B-45
	>80	▲ 15°	2670 lm	3000K	○	RL062-30W-930-W-15
					●	RL062-30W-930-B-15
		▲ 20°	2810 lm	4000K	○	RL062-30W-940-W-15
					●	RL062-30W-940-B-15
		▲ 45°	2700 lm	3000K	○	RL062-30W-930-W-20
					●	RL062-30W-930-B-20
	>90	▲ 15°	2830 lm	4000K	○	RL062-30W-940-W-20
					●	RL062-30W-940-B-20
		▲ 20°	2680 lm	3000K	○	RL062-30W-930-W-45
					●	RL062-30W-930-B-45
		▲ 45°	2810 lm	4000K	○	RL062-30W-940-W-45
					●	RL062-30W-940-B-45

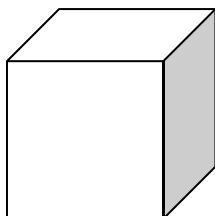


Technical Data test pattern

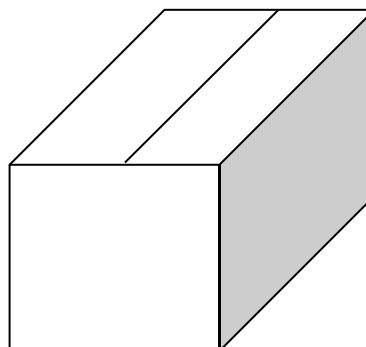
30W	CRI>80								CRI>90					
	LED				Luminaire				LED			Luminaire		
Power	18.7W				29W				18.7W			29W		
Current	540mA				700mA				540mA			700mA		
Flux	2476lm	2592lm	2677lm	2718lm	2600lm	2704lm	2859lm	2997lm	2055lm	2151lm	2222lm	2150lm	2279lm	2360lm
CCT	2700K	3000K	4000K	5000K	2700K	3000K	4000K	5000K	2700K	3000K	4000K	2700K	3000K	4000K
Color tolerance	3 SDCM			4 SDCM					3 SDCM					
Beam Angle	120°				15°/20°/45°				120°			15°/20°/45°		
Typical Efficiency					88%							88%		
Efficacy	132lm/W	139lm/W	143lm/W	145lm/W	89lm/W	93.5lm/W	98.5lm/W	103lm/W	110lm/W	115lm/W	119lm/W	74lm/W	78.5lm/W	81lm/W



Packaging:

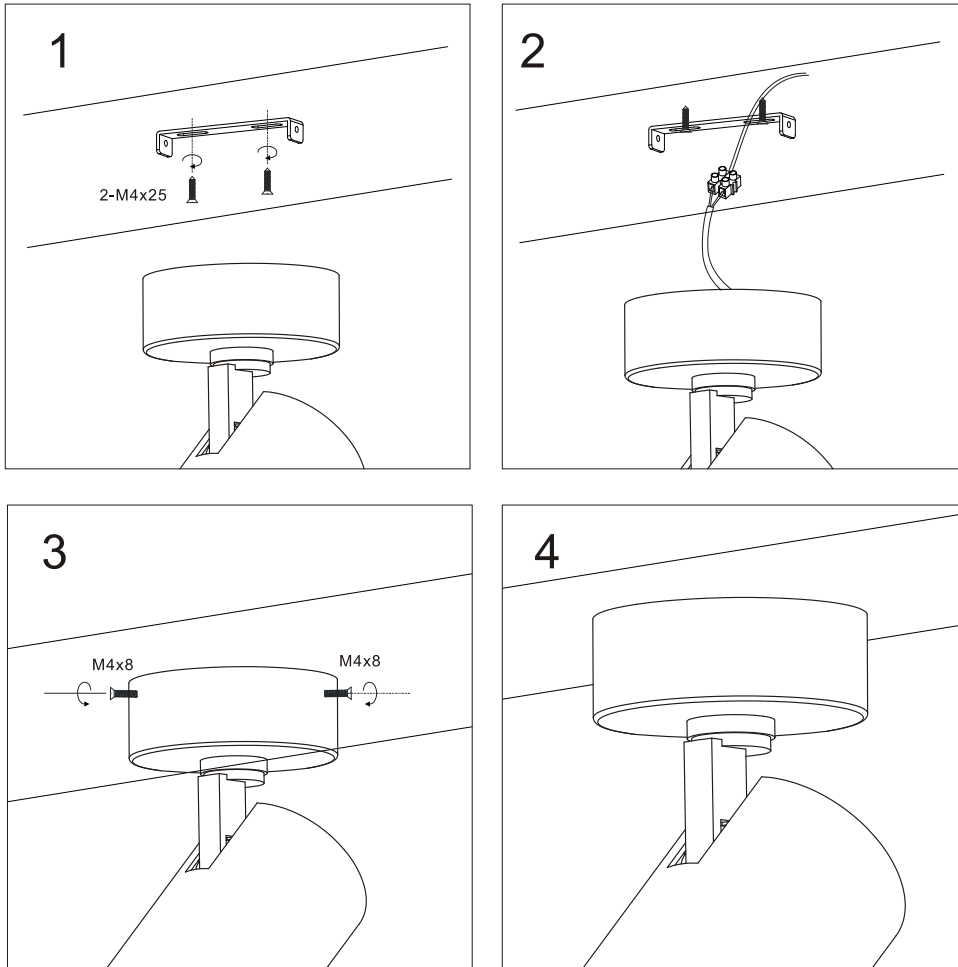


Box
L195*W130*H240mm
1pc/box
GW: 1.15kg/box



Outer carton
L540*W410*H260mm
8 pcs/CTN
GW: 10.5kg/carton

Installation instruction



Product naming system

RL (X) XX X (H) – XW – X XX – X- XX

