

Pro Series

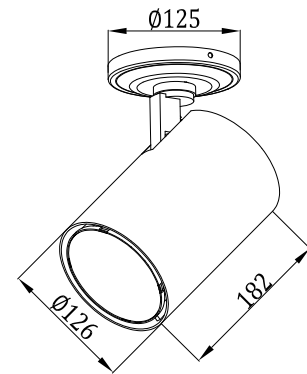
RL072-40W

Reflector



Technical Parameters:

Name	Parameters
Light source:	COB
Input Voltage:	AC220~240V 50/60Hz
LED Current:	1000mA, 35-37V
Rated life:	>50,000 hours
Operating temperature:	-20°C~40°C
Storage temperature:	-30°C~60°C
Certificate:	TUV/CE/RoHS
Weight:	1.55KG



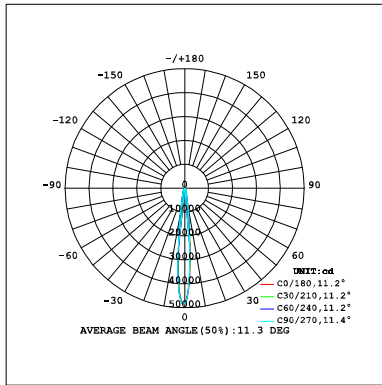
Ordering Information:

○White ●Black

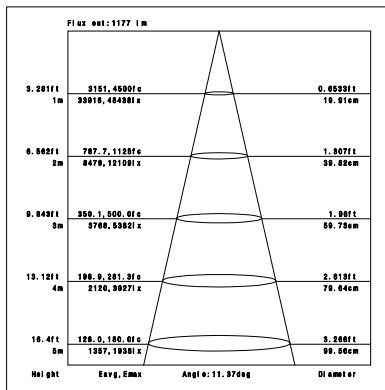
Power	CRI	Beam Angle	Luminous	CCT	Housing	Part Number
40W	>80	▲ 12°	4140 lm	3000K	○	RL072-40W-830-W-12
					●	RL072-40W-830-B-12
			4420 lm	4000K	○	RL072-40W-840-W-12
				●	RL072-40W-840-B-12	
		▲ 20°	4180 lm	3000K	○	RL072-40W-830-W-20
					●	RL072-40W-830-B-20
		4350 lm	4000K	○	RL072-40W-840-W-20	
			●	RL072-40W-840-B-20		
	▲ 45°	4030 lm	3000K	○	RL072-40W-830-W-45	
				●	RL072-40W-830-B-45	
		4140 lm	4000K	○	RL072-40W-840-W-45	
			●	RL072-40W-840-B-45		
>90	▲ 12°		3530 lm	3000K	○	RL072-40W-930-W-12
					●	RL072-40W-930-B-12
			3700 lm	4000K	○	RL072-40W-940-W-12
				●	RL072-40W-940-B-12	
		▲ 20°	3550 lm	3000K	○	RL072-40W-930-W-20
					●	RL072-40W-930-B-20
		3740 lm	4000K	○	RL072-40W-940-W-20	
			●	RL072-40W-940-B-20		
	▲ 45°	3400 lm	3000K	○	RL072-40W-930-W-45	
				●	RL072-40W-930-B-45	
		3650 lm	4000K	○	RL072-40W-940-W-45	
			●	RL072-40W-940-B-45		

Technical Data test pattern

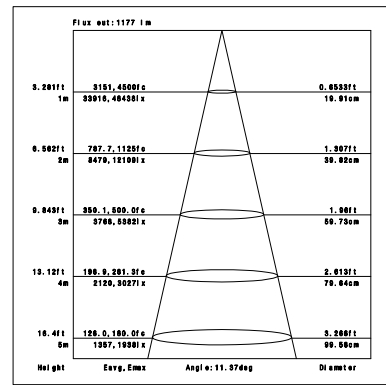
CRI80 12°



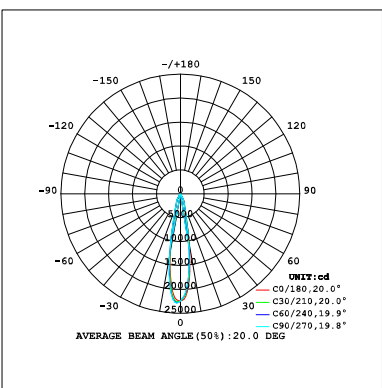
3000K



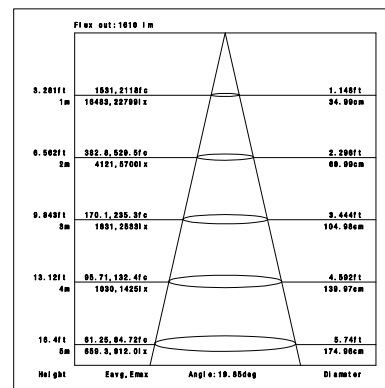
4000K



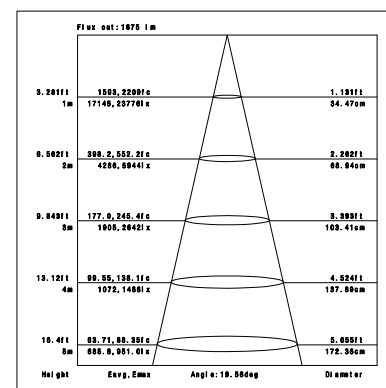
CRI80 20°



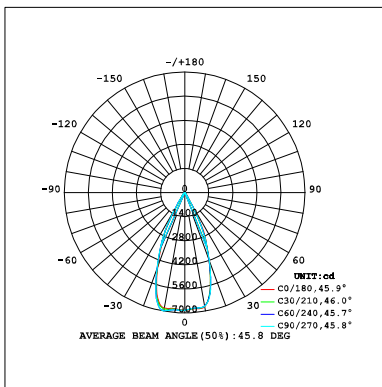
3000K



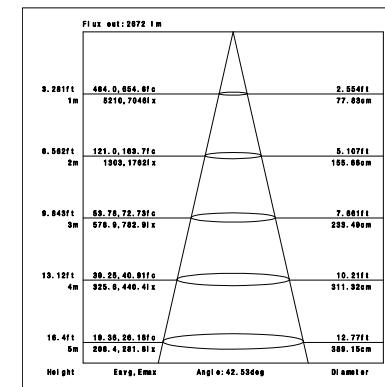
4000K



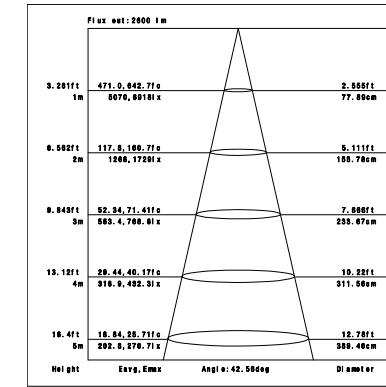
CRI80 45°



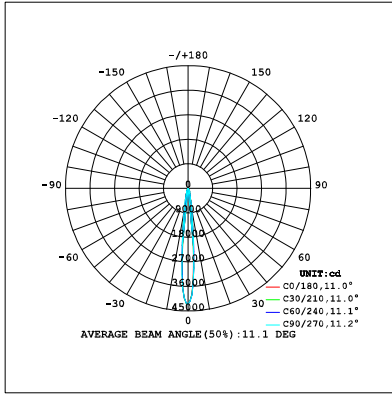
3000K



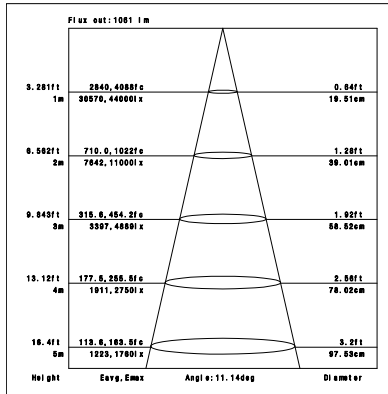
4000K



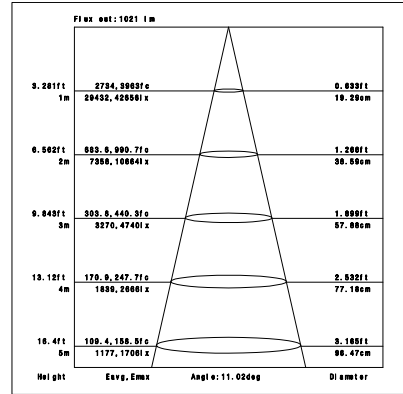
CRI90 12°



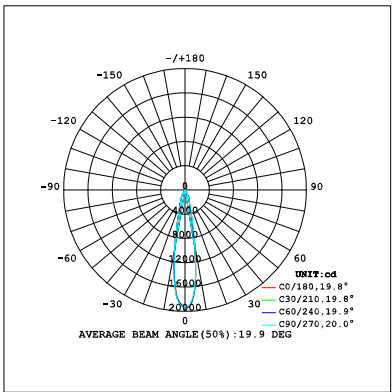
3000K



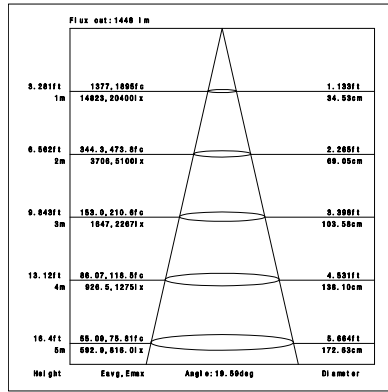
4000K



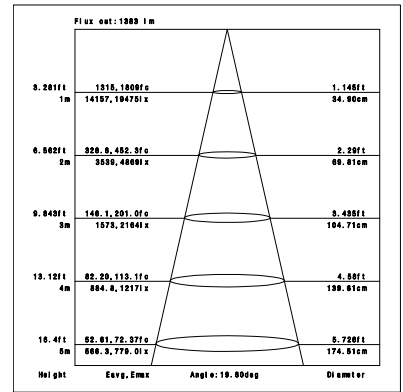
CRI90 20°



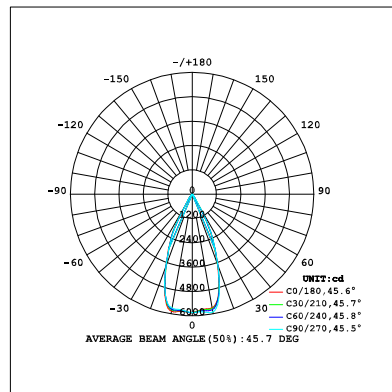
3000K



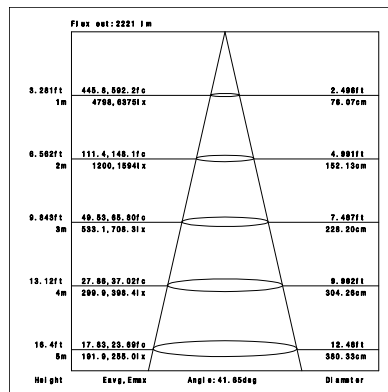
4000K



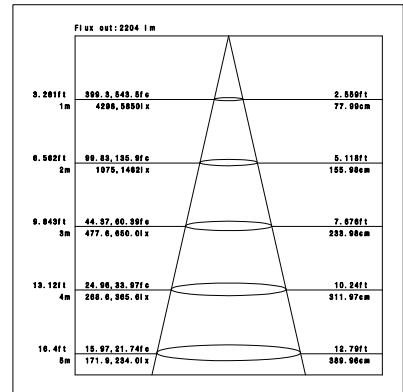
CRI90 45°



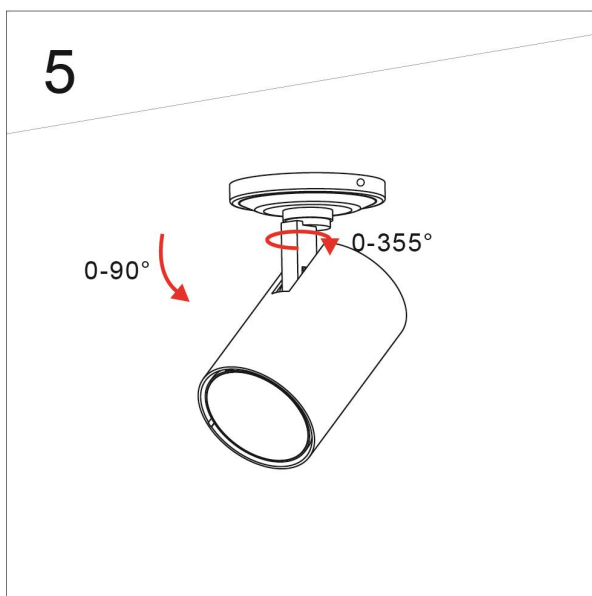
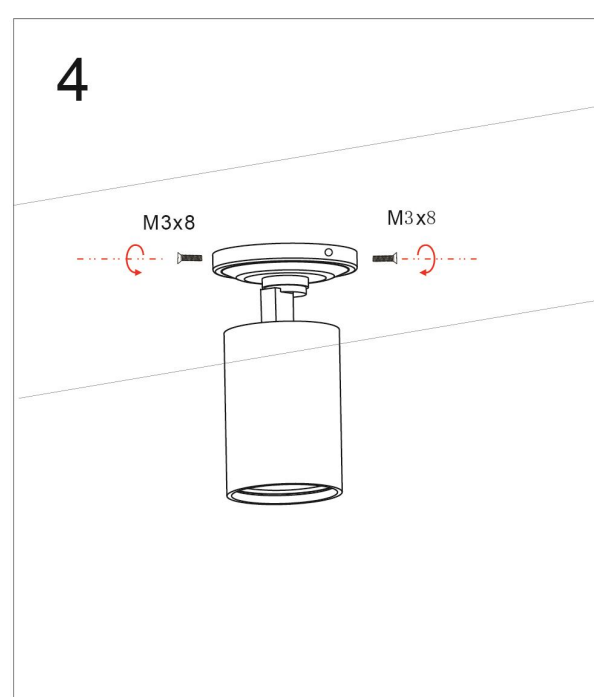
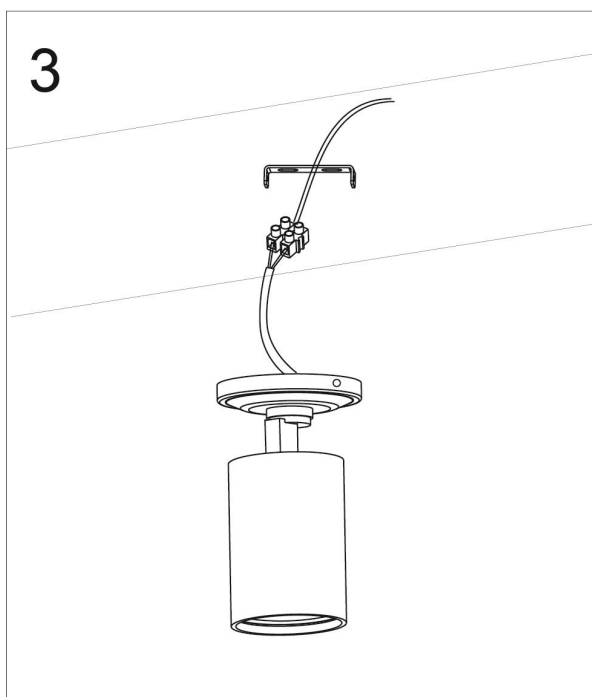
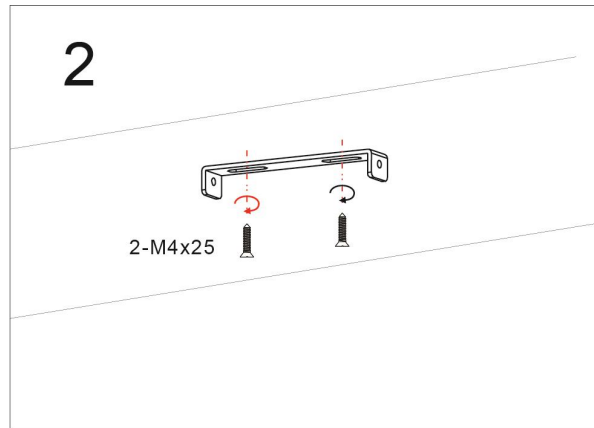
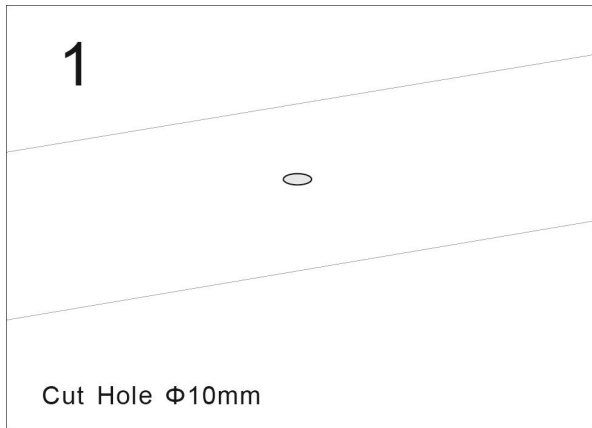
3000K



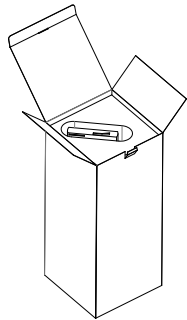
4000K



Installation instruction



Packaging:

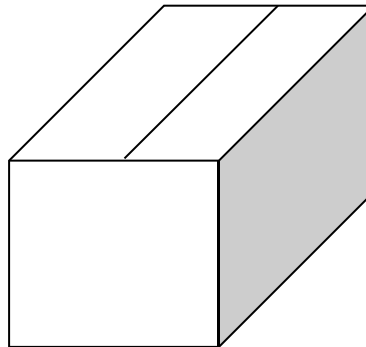


Box

L230*W140*H280mm

1pc/box

GW: 1.65kg/box



Outer carton

L720xW295xH328mm

6 pcs/CTN

GW: 10.5kg/carton

Product naming system

