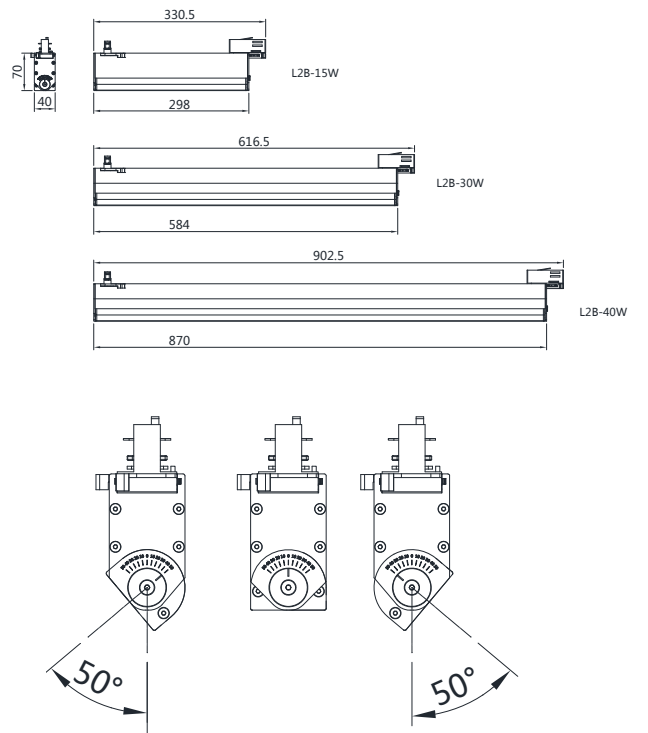


L2B-15W/30W/40W



Technical Parameters:

Name	Parameters		
Light source:	2835SMD		
Input Voltage:	AC100~277V 50/60Hz		
Power	15W	30W	40W
LED Current:	350mA	700mA	1000mA
Rated life:	>50,000 hours		
Operating temperature:	-20°C~40°C		
Storage temperature:	-30°C~60°C		
Certificate:	CE/RoHS		
Dimmability:	Non-dimmable 0-10V dimming		
Weight:	0.7KG (L328) 1.3KG (L646) 1.9KG (L964)		



Beam type:

Z90	Z60	MAXI-WG	O	Z2T25	ZT25	UP
Name	Beam type	Typ. FWHM				
Z90	Extra wide	90 + 110				
Z60	Medium	58 + 111				
ZT25	Asymmetric	TBA				
Z2T25	Double asymm.	106 + 80				
O	Oval	96 + 32				
MAXI-WG	Asymmetric	TBA				
UP	Wide area lighting	TBA				

Ordering Information:

○ White ● Black

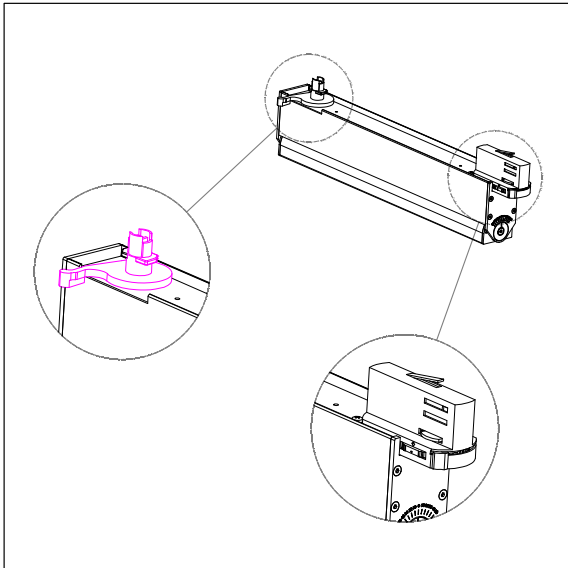
Power	CRI	Beam Angle	Luminous	CCT	Housing	Part Number
15W	>80	60°/90°/36°/15x35°	1280 lm	2700K	○	TL4-L2B03-15W-827-W-**
					●	TL4-L2B03-15W-827-B-**
			1350 lm	3000K	○	TL4-L2B03-15W-830-W-**
					●	TL4-L2B03-15W-830-B-**
			1400 lm	4000K	○	TL4-L2B03-15W-840-W-**
					●	TL4-L2B03-15W-840-B-**
30W	>80	90°	2600 lm	2700K	○	TL4-L2B06-30W-827-W-**
					●	TL4-L2B06-30W-827-B-**
			2700 lm	3000K	○	TL4-L2B06-30W-830-W-**
					●	TL4-L2B06-30W-830-B-**
			2780 lm	4000K	○	TL4-L2B06-30W-840-W-**
					●	TL4-L2B06-30W-840-B-**
40W	>80	90°	3450 lm	2700K	○	TL4-L2B09-40W-827-W-**
					●	TL4-L2B09-40W-827-B-**
			3600 lm	3000K	○	TL4-L2B09-40W-830-W-**
					●	TL4-L2B09-40W-830-B-**
			3680 lm	4000K	○	TL4-L2B09-40W-840-W-**
					●	TL4-L2B-40W-840-B-**

*** : Beam Angle (Refer to the beam type chart above)

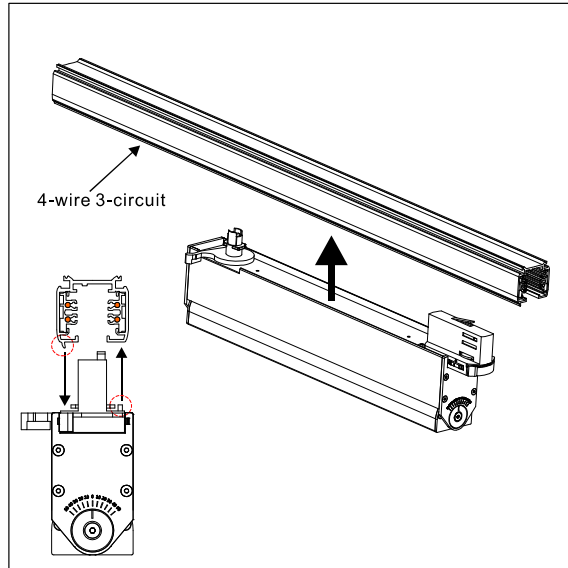


Installation instruction

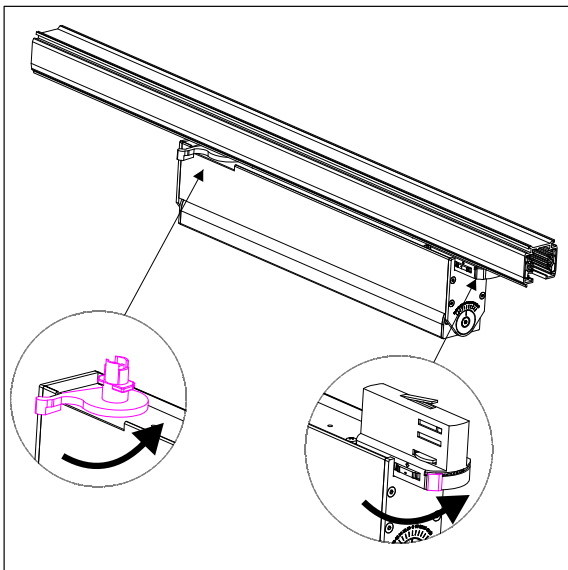
L2A/L2B Linear light Installation Instruction(4-Wire 3-Phase)



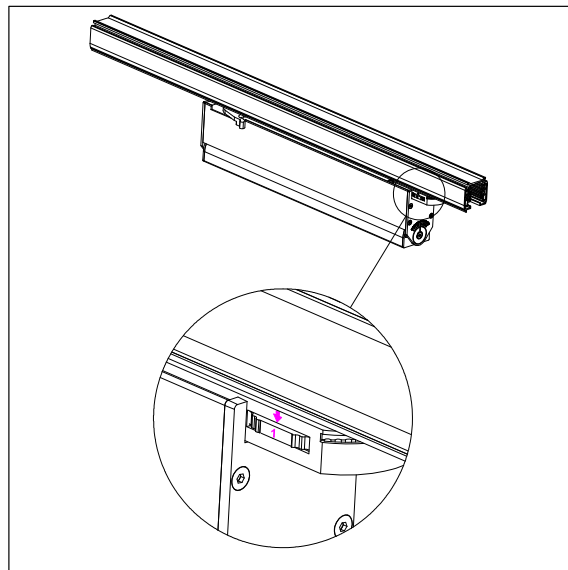
1, The track adaptor and lock-up clip adjust to the position like picture showed.



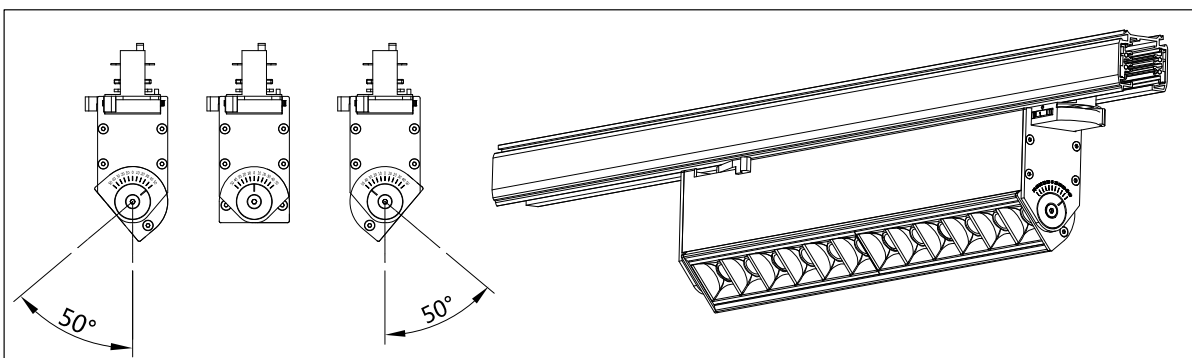
2, Push the Linear light into the track, pay attention to the position of the track's ridge. The ridge on the linear light track adaptor should be matched with the side of the track that has no ridge.



3, Swivel 90degree for both the lock of track adaptor and the clip.



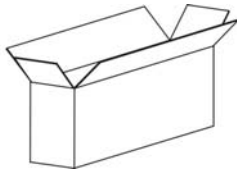
4, Shift 1/2/3 circuit by swivel the button



5, Adjust the light beam direction.

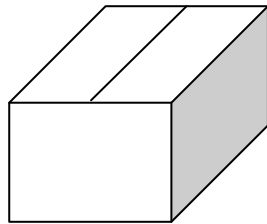
Packaging:

L2B03-15W



Inner Box

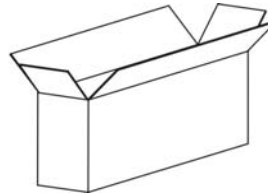
L335*W54*H115mm
1pc/box
GW: 0.80kg



Master Carton

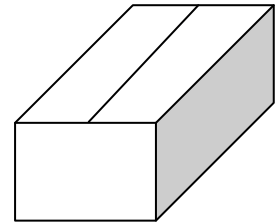
L700*W300*H260mm
20pc/box
GW: 16.8kg/Carton

L2B06-30W



Inner Box

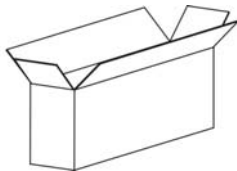
L653*W54*H115mm
1pc/box
GW: 1.4kg



Master Carton

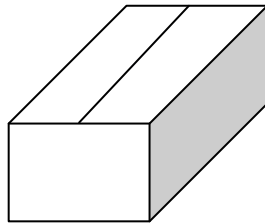
L700*W300*H260mm
10pc/box
GW: 14.8kg/Carton

L2B09-40W



Inner Box

L971*W54*H115mm
1pc/box
GW :1.95kg/box



Master Carton

L1050*W230*H260mm
8pc/box
GW: 16.8kg/Carton

Product naming system:

TL (D) 4 - L2 A 03 - 15W - 8 3 0 - X- XX

